

Spare parts for Series RO56E

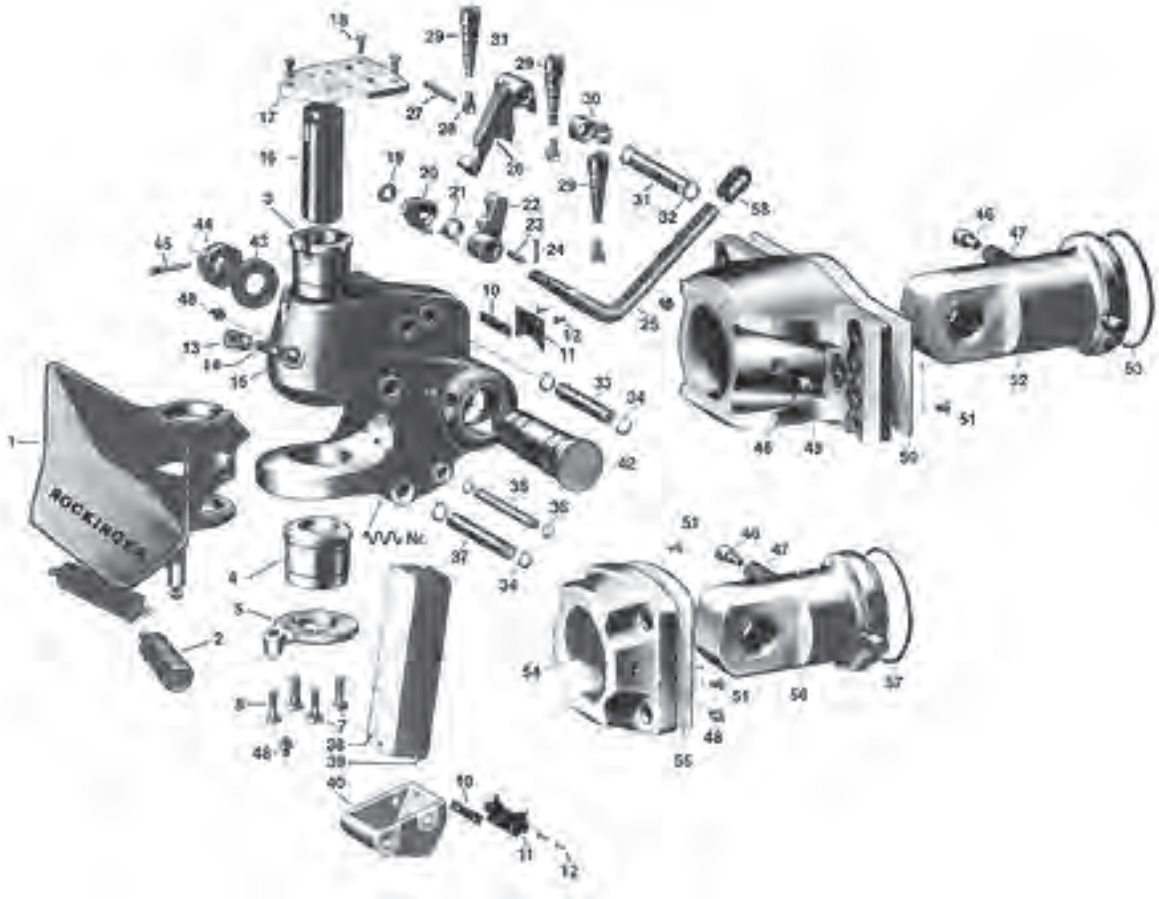


Fig.	Description	Remark	Part No.	Qty
01	Funnel	with 3	70463	1
02	Funnel spring		55005	2
03	Upper bush		53019	1
04	Lower bush		53244	1
05	Base plate	for vers. E	65549	1
07	Bolt M 10 × 28	DIN 9311	57236	1
08	Bolt M 10 × 30		56024	1
10	Spacer		15008	1
11	Buffer cover		25010	2
15	Safety pin		68000	1
16	Hitch pin	for vers. E	47041	1
17	Sealing cover	with spring cap	65009	1
18	Bolt M 6 × 12		70249	1
19	Washer 16		33011	1
20	Notch lever		51012	1
22	Locking lever		51013	1
23	Grooved pin 8 × 30	DIN 1474	32007	1
25	Hand lever	for type 561E	50092	1
25	Hand lever	B, for type 56EU	50177	1
25	Hand lever	for type 56E	50084	1
26	Lifting lever	with pin 27	51036	1
28	Locking spring cam		13005	3
29	Locking spring		55024	3

Fig.	Description	Remark	Part No.	Qty
30	Support		65010	1
31	Axle to lift up lever		52002	1
33	Bolt 18 × 113		52011	1
37	Bolt 18 × 139		52009	1
38	Leaf spring 2		55026	14
40	Spring cap	with 10, 11, 12	65066	1
43	Washer 31		33002	1
46	Notch cam		52014	2
47	Cam spring		55028	1
50	Spacer		54274	1
52	Drawbar element		42016	1
53	O-ring or 129, 2-5, 7	for type 56 E	25062	1
55	Spacer		54276	1
56	Drawbar element	for type 561 E	42014	1
57	O-ring or 149, 2-5, 7		25063	1
58	Cap		25104	1
R	Repair set	03, 04, 16, 21, 24, 32, 34, 34-1, 35, 36, 39, 42, 44, 45, 48, 48-2, 49, 54	66920	
R	Repair set	03, 04, 16, 21, 24, 32, 34, 34-1, 35, 36, 39, 42, 44, 45, 48, 48-1, 48-2, 49, 54	67252	