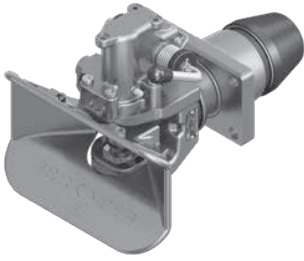
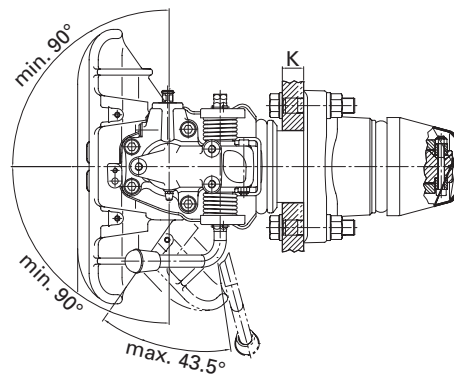
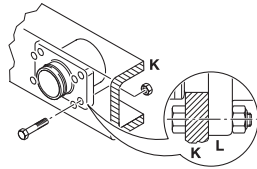
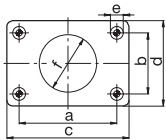
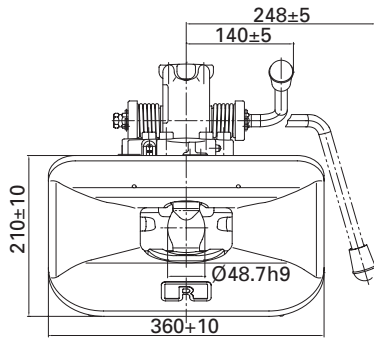
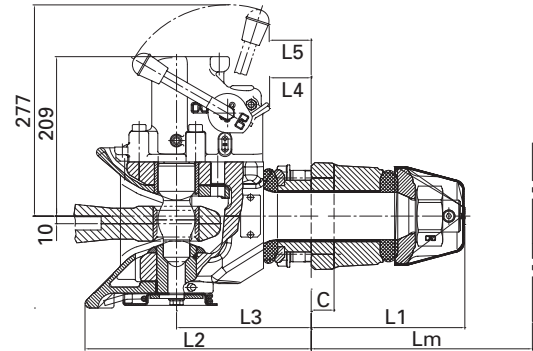


Series RO500B66500

Fully automatic towing hitch



a = 50 mm
DIN 74053, ECE R55-01 (Class D)



Size	a (mm)	b (mm)	c (mm)	d (mm)	e (mm)	f (mm)
6	160	100	200	140	21	94

Size	L1 (mm)	L2 (mm)	L3 (mm)	Lm (mm)	C (mm)	S (mm)	Lm (mm)
6	202	297	177	54	55	35	290

Technical data

Order no.	Size	Hole pattern (mm)	Admissible D-value ² (kN)	Admissible Dc-value*(kN)	Admissible static vertical load ³ (kg)	Admissible V-value ² (kN)	Weight (kg)	ECE	CRN
RO500B66500	6	160 x 100	200	140	2500	60	50,5	011844	43546
RO500B66500	6	160 x 100	285	140	1000	90	50,5	011844	43545



Spare parts for RO500B66500

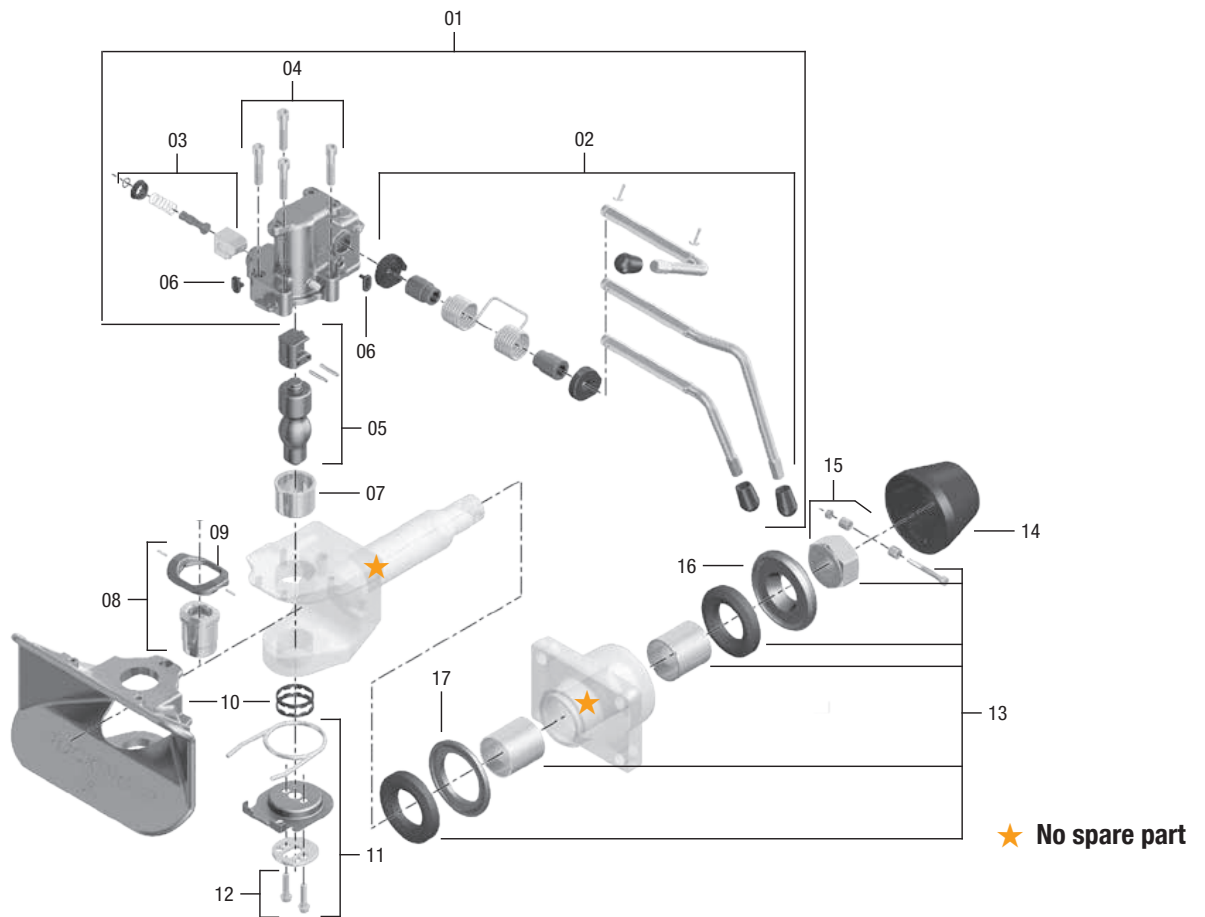


Fig.	Description	Part No
01	ROxxxBxxxx	ROE71442B
02	ROxxxBxxxx	ROE71644B
03		ROE27009
04		ROE30417
05		ROE47130
06		ROE25558
07		ROE53604
08		ROE53637
09		ROE59428

Fig.	Description	Part No
10		ROE46145
11		ROE71331
12		ROE30486
13	G135	ROE71801
14	G145/150	ROE25347
15	G135	ROE71802
16	G145/150	ROE59393
17	G135	ROE44177

Fig.	Part No
03, 04, 05a, 07, 08, 11	ROE71805