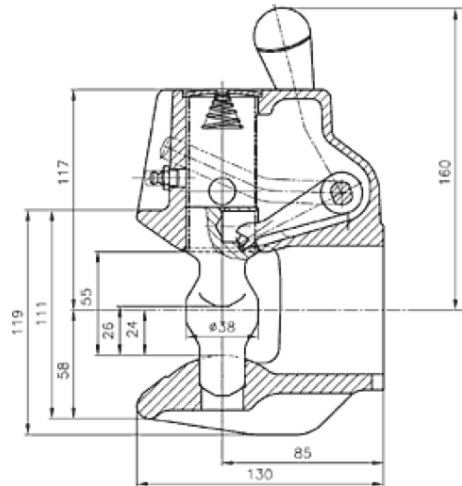
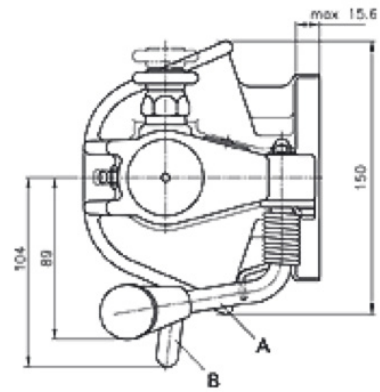


Series RO243



Versions available

Order no.	A/B	Size	Hole pattern (mm)	Admissible D-value ¹ (kN)	Admissible Dc-value ¹ (kN)	Admissible static vertical load (kg)	Admissible V-value ¹ (kN)	(kg)	e1 CE/94/20/cl. C50-X
243A3500	A	135	120 × 55	30	30	350	12,0	4,4	00-0051

¹ s. p. 14

² diagonal

Also for industrial trucks (transport carts, fork lift trucks, etc.) with maximum total weight up to 5t and maximum towed load up to 20t (without vertical load only for inside-factory transport).



