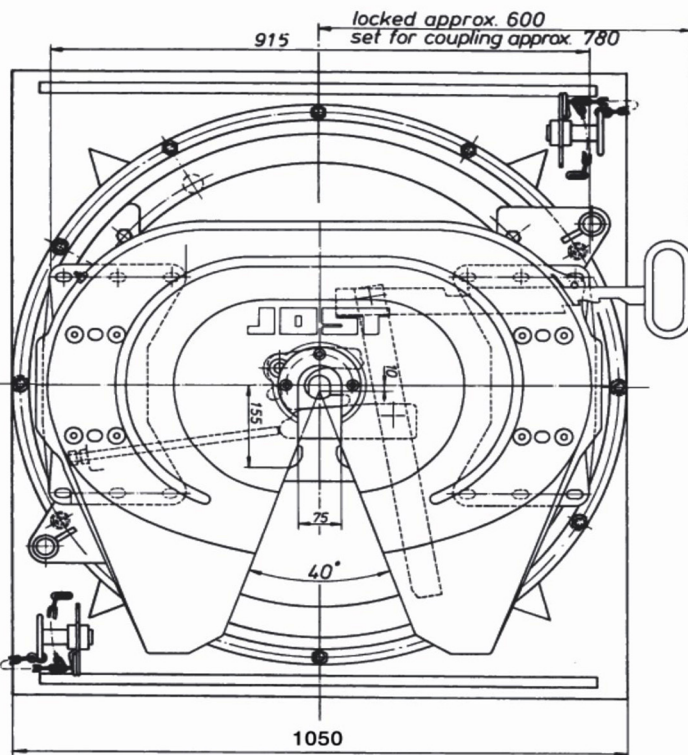
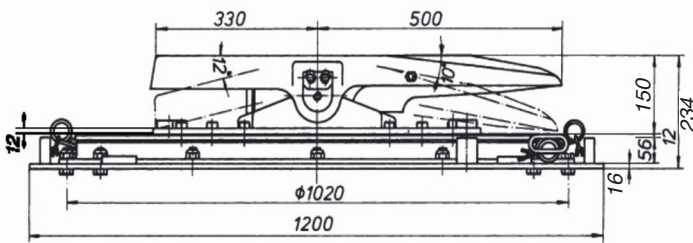


# LP37E Cast Top Stabilised Fifth Wheel Assembly 2"



**Application:** Highway work  
Tipper work

also available with:

16mm Base Plate	LP37E 16 mm
20mm Base Plate	LP37E 20 mm

\*Note thicker base plate determines extra weight  
\*\*Note other heights available on request

D-Value	190 kN
Overall height	234 mm
Imposed load	20000 kgs
Weight approx. (for 16mm base plate)	356 kgs
Approval Number	JSK37E - CTA-036821 LP Subassembly - CTA-047151

**Twin lockouts.**

Flush bolt heads on mounting plate in chassis mounting zone. Wear ring easily removed from above on JSK37E fifth wheel. Mounting must be carried out in accordance with our instructions.

## Spare parts for LP37E Cast Top

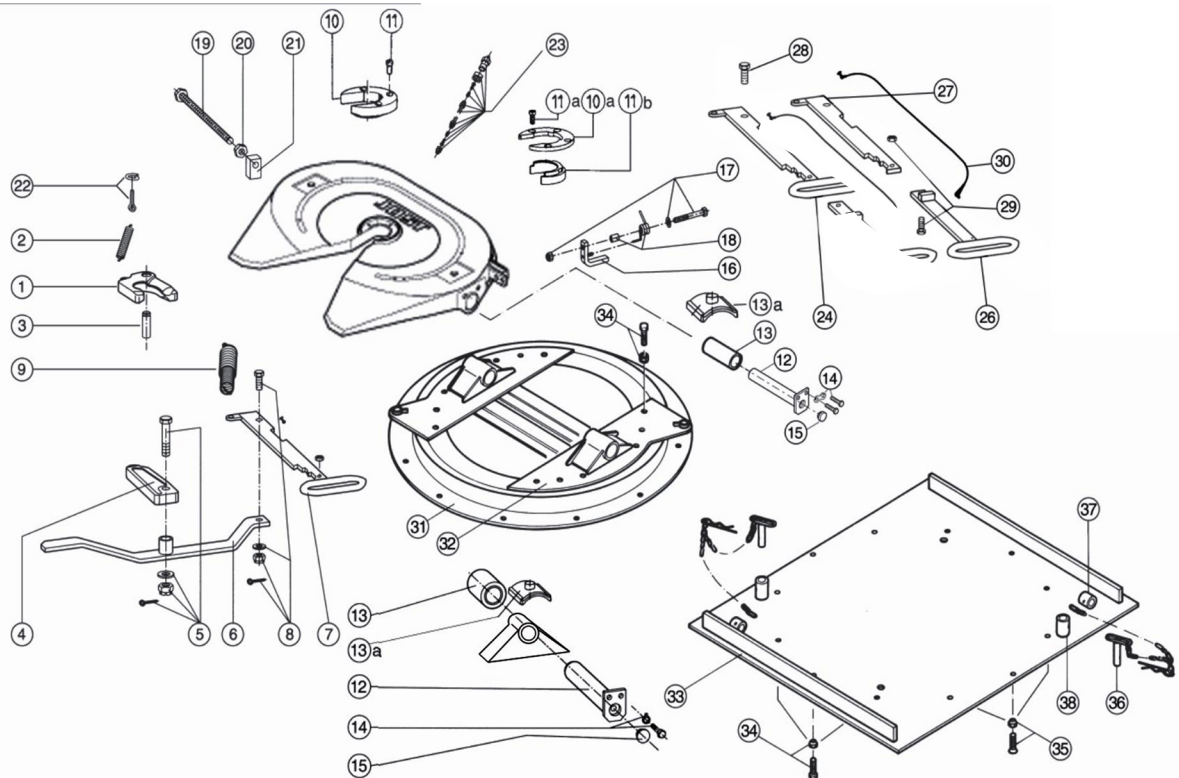


Fig.	Description	Part No. LP37 E	Fig.	Description	Part No. LP37 E
01	Jaw	SK1489Z	19	Adjusting Screw	SK310597
02	Jaw Spring	SK847	20	Hex Nut	SK212178
03	Jaw Pivot	SK210667	21	Guide Piece	SK320507
04	Locking Bar	SK320506	22	Eye Bolt Complete	SK212204
05	Lock Bar Bolt	SK322101	23	Grease Line Complete	SK310802
06	Release Lever	SK310518	24	Operating Handle	SK310515
07	Operating Handle	SK310515	26	Handle Extension	SK3105113
08	Head Bolt	SK1513	27	Internal Operating Handle	SK3105115
09	Double Tension Spring	SK310520	28	Head Bolt	SK1513
10	Wear Ring Fixture	SK210519	29	Extended Handle Bolt	SK242150
10a	Wear Ring Fixture	SK310593	30	Cable Extension	SK352102
11	Wear Ring Bolt	SK212107	31	Ball bearing	KDL9006W
11b	Wear Ring Insert	SK310592	32	Half Moon c/w 130mm or 150mm Ped.	SK370402
11a	Wear Ring Bolt	SK312155	33a	Base plate (12mm) incl. 56, 57, 58	SK370612
12	Swivel Pin	SK310405	33b	Base plate (16mm) incl. 56, 57, 58	SK370616
13	Pedestal Bush	SK290520	33c	Base plate (20mm) incl. 56, 57, 58	SK370620
13a	Collar	SK3105/95	34	Hex. bolt compl.	SK372104
14	Swivel Pin Bolt	SK312128	35	Countersunk bolt compl.	SK372105
15	Swivel Pin Plug	JS110112	36	Lock out pin compl. with chain (old style)	SK370610
16	Spring Latch	SK312152	36a	Lock out pin compl. with R clip (new style)	SK370609
17	Bolt for Spring Latch	SK352103	37	Tube park	SK370604
18	Spring for Latch	SK312159	38	Tube lock out (old style)	SK370605
			38a	Tube lock out (new style)	SK370504

## Repair Kits

Fig.	Repair Kits	Part No.
01, 02, 03	Repair kit for locking device	SK322152Z
12, 13, 13a, 14, 15	Repair kit for locking device	SK3121061
01, 02, 03, 08, 11, 23, 28	Repair kit for locking device	SK3121060Z
10, 11a, 11b	Repair kit for wear ring	SK310594