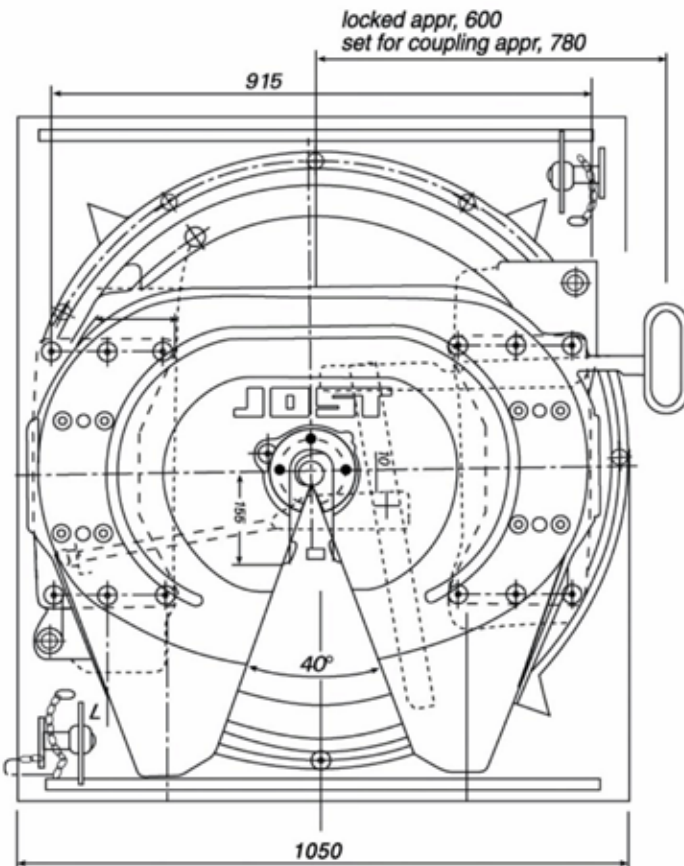
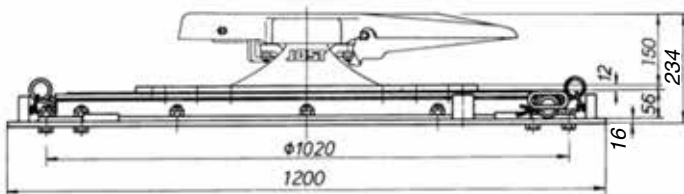


LP37CZ Cast Top Low Profile Stabilised Fifth Wheel Assembly 2"



Application: Stock crate
Fridge van
General freight
Tankers

also available with:

16mm Base Plate LP37CZ 16mm
20mm Base Plate LP37CZ 20mm
Narrow chassis width available ie European spec

*Note: thicker base plate determines extra weight and height.

**Note: other heights are available on request

D-Value	190 kN
Overall height	234 mm
Imposed load	20000 kgs
Gross comb. weight	135000 kgs
Weight approx. (for 12mm base plate)	367 kgs
CRN	24836

Twin lockouts.

Flush bolt heads on mounting plate in chassis mounting zone. Cast type unit equipped with external king pin grease point for additional lubrication to the jaw. Wear ring easily removed from above on JSK37CZ fifth wheel. Mounting must be carried out in accordance with our instructions.

Spare parts LP37CZ Cast Top

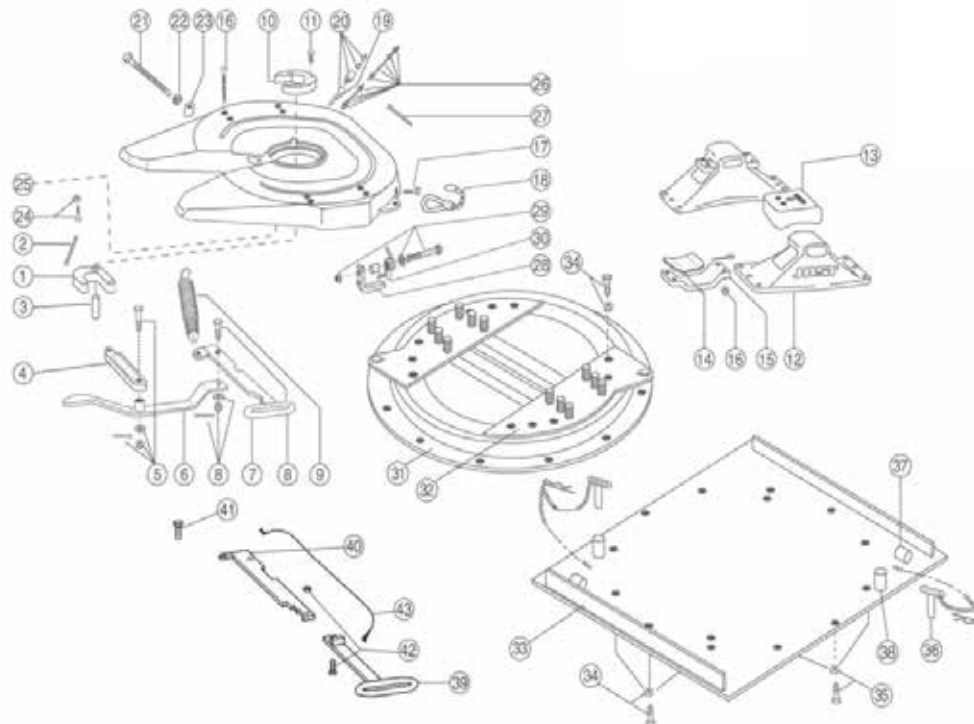


Fig.	Description	Part No. LP37 CZ
01	Lock jaw	SK1489Z
02	Lock jaw spring	SK847
03	Pivot for lock jaw, compl.	SK210667
04	Locking bar	SK320506
05	Locking bar bolt, compl.	SK322101
06	Lever	SK310518
07	Operating handle	SK310515
08	Head bolt	SK1513
09	Double tension spring	SK310520
10	Wearing ring	SK210519
11	Socket head bolt	SK212107
12	Pedestal (185mm)	SK210401X
	Pedestal (170mm)	SK210421X
	Pedestal (150mm)	SK210402X
13	Upper rubber cushion	SK1259
14	Lower rubber cushion	SK210525
15	Mounting bracket	SK1372
16	Socket head bolt, compl.	SK212115
17	Split pin	SK1974
18	Spring hook pre 1995	SK1436
18b	Wedge	SK1436V
19	Lubrication fitting	SK1989
20	Grease nipple compl	SK1976
21	Adjusting Screw	SK310505
22	Hexagon nut	SK212178

Fig.	Description	Part No. LP37 CZ
23	Guide piece	SK320507
24	Eye bolt compl.	SK212204
25	Grease nipple	SK312111
26	Lubrication tubing with Fig. 27	SK310802
27	Tubing clamp	SK312113
28	Spring Latch 1996 onwards	SK312152
29	Bolt for Spring Latch	SK3521/03
30	Spring for Latch	SK3121/59
31	Ball bearing	KDL9006W
32	Half moon compl.	SK370629
33a	Base plate (12mm) incl. 36, 37, 38	SK370612
33b	Base plate (16mm) incl. 36, 37, 38	SK370616
33c	Base plate (20mm) incl. 36, 37, 38	SK370620
34	Hex. bolt compl.	SK372104
35	Countersunk bolt compl.	SK372105
36	Lock out pin compl. with chain (old style)	SK370610
36a	Lock out pin compl. with R clip (new style)	SK370609
37	Tube park old style	SK370604
38	Tube lock out (old style)	SK370605
38a	Tube lock out (new style)	SK370504
39	Handle Extension	SK3105113
40	Internal Operating Handle	SK3105115
41	Head Bolt	SK1513
42	Extended Handle Bolt	SK242150
43	Cable Extension	SK352102

Repair Kits

Fig.	Repair Kits	Part No.
01, 02, 03, 10, 11, 26	Repair kit for locking device	SK322150Z
01, 02, 03, 26	Repair kit for locking device	SK322152Z
01, 02, 03, 08, 10, 11, 18, 26	Repair kit for locking device	SK312150Z
13, 14, 16	Repair kit for rubber bearing	SK212169Z
28, 29, 30	Kit for latch	SK312152 KIT