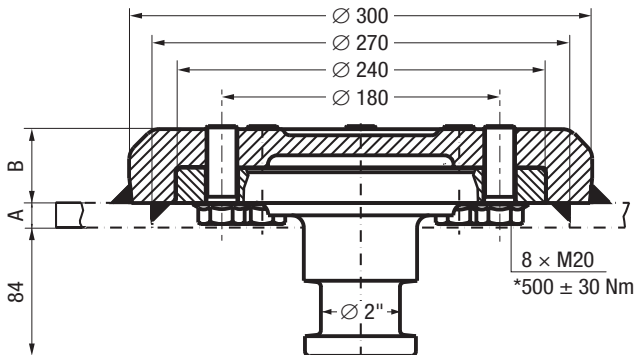


King Pin 2" – Access from underneath

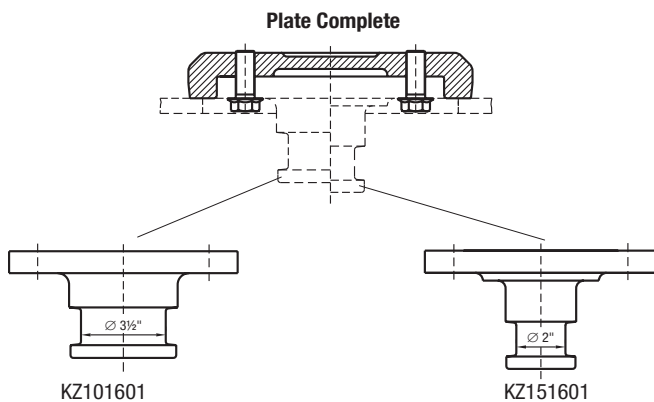
KZ1516



* Torque

Selection table / Versions available

Order No. King pins, compl.	D value (kN)	A (mm)	B (mm)	Approval Number
KZ1516	170	16	48	ECE E1 55R-01 0148



3½" and 2" king pins are easily interchangeable.

Dimensions according to DIN 74080 and ISO 337
JOST king pins can be used in self steering axle systems.

Mounting must be carried out according to our instructions.



Spare Parts for KZ1516

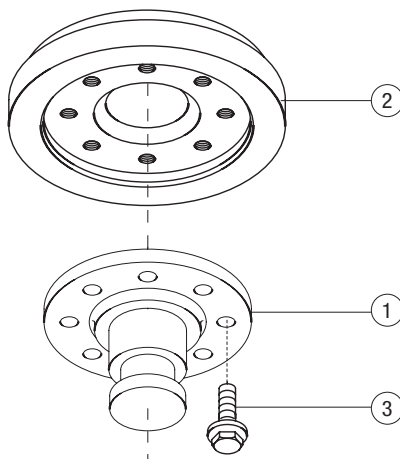


Fig.	Description	Part No.
1	King pin	KZ151601
2	Retention plate	KZ101602
3	Self-securing bolt	KZE101606

The right to alter specifications is reserved.