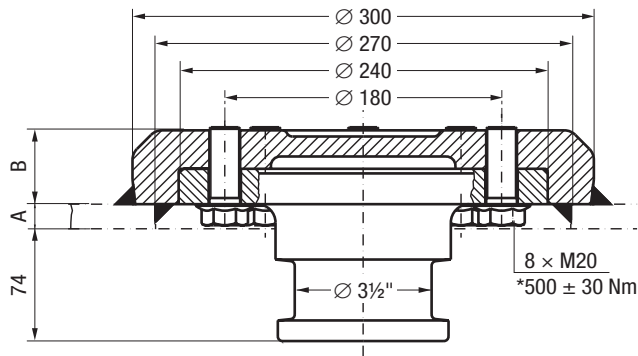


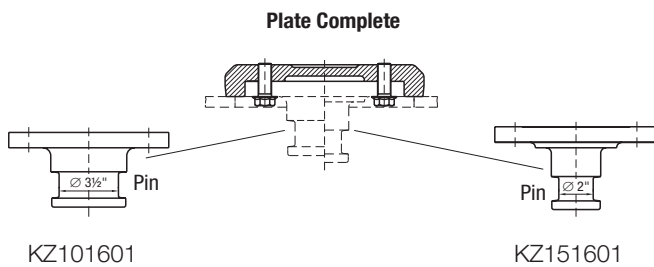
King Pin 3½" – Access from underneath

KZ1016



Selection table / Versions available

Order No. King pins, compl.	D value (kN)	A (mm)	B (mm)	Approval Number
KZ1016	320	16	48	ECE E1 55R-01 0150



3½" & 2" king pins are easily interchangeable

Dimensions according to DIN 74083 and ISO 4056 **JUST** king pins can be used in self steering axle systems.

Mounting must be carried out according to our instructions.

Spare Parts for KZ1016

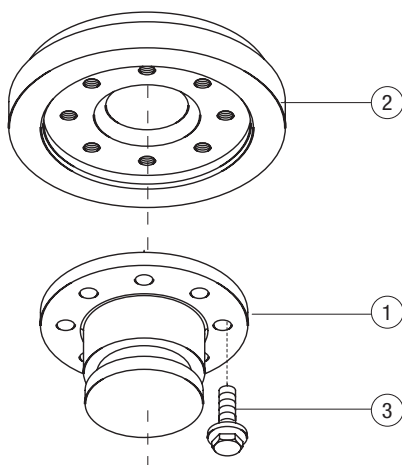


Fig.	Description	Part No.
1	King pin	KZ101601
2	Retention plate	KZ101602
3	Self-securing bolt	KZE101606

The right to alter specifications is reserved.