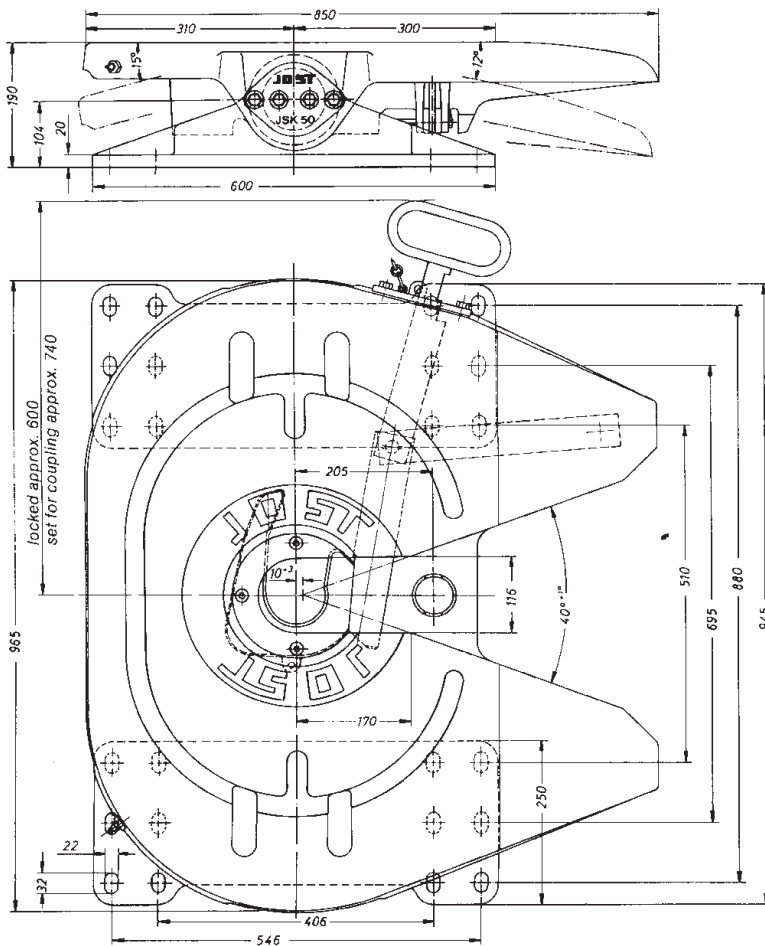
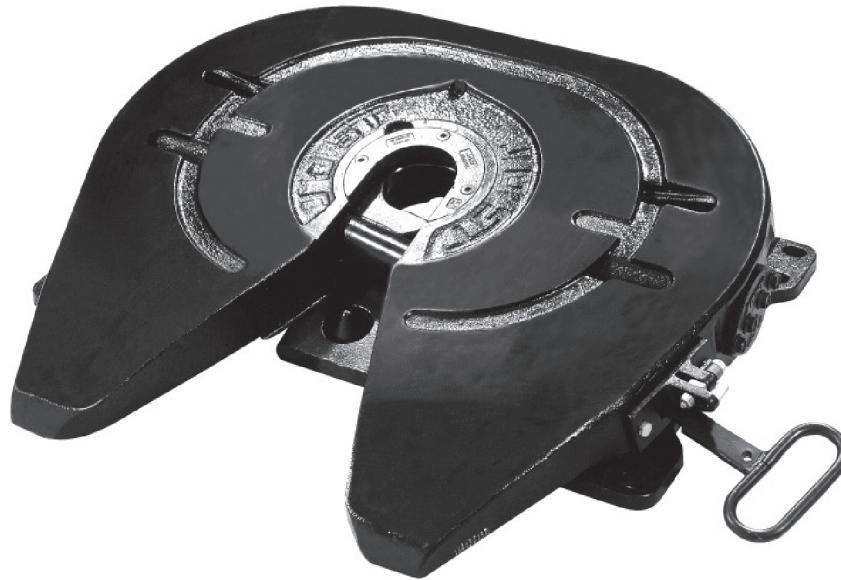


Pivot Bearing – JSK50



A heavy duty fifth wheel for arduous conditions
D rating 300 kN imposed load up, to 50,000 kg.

Suitable for all types of rear axle steering systems.

Weight: 290 Kg.

Bolt on type Pedestals

Approval Number - ECE E1 55R-01 2504

Mounting must be carried out in accordance with our instructions.

Spare parts for Type JSK50

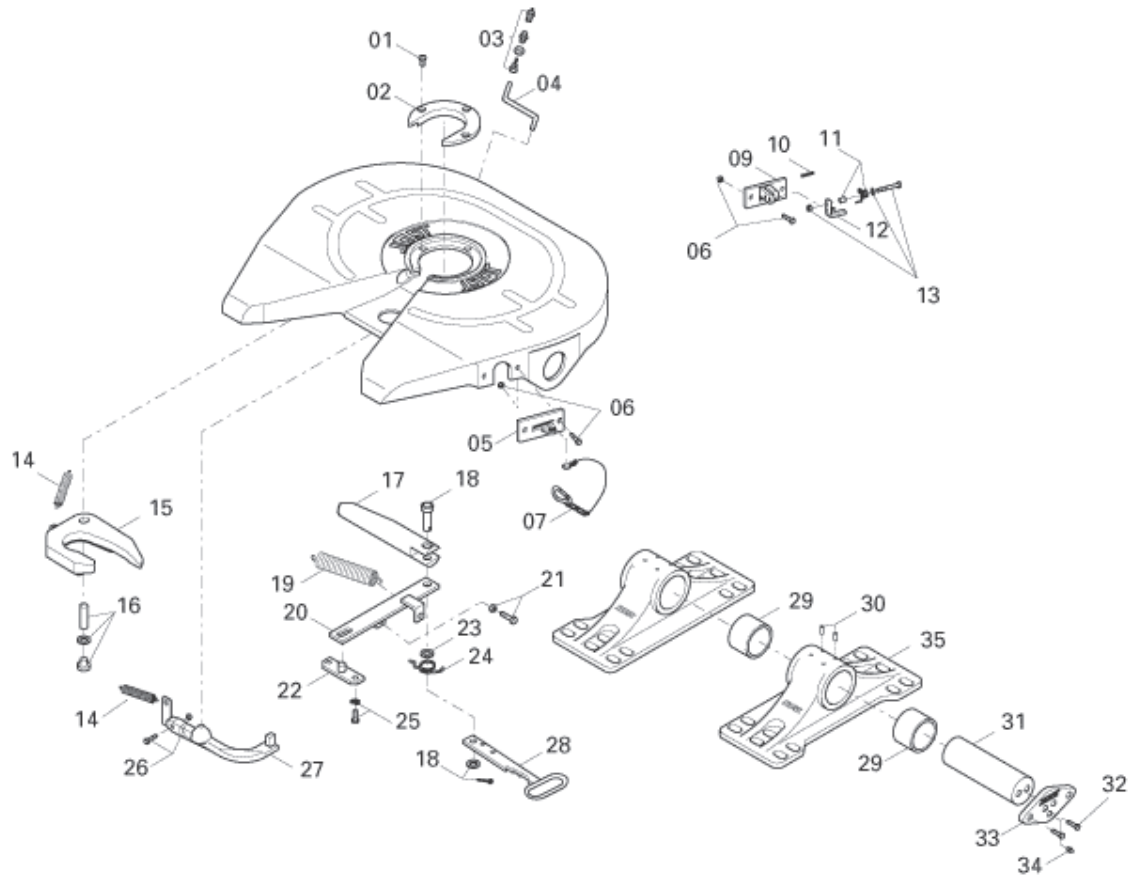


Fig.	Description	Part No.
01	Socket head bolt	SK242108
02	Wearing ring 3½", compl. with 1	SK242156
03	Nut and bolt	SK1976
04	Lubrication tube	SK1989003
05	Guide plate	SK240522
06	Hexagon bolt, complete	SK242150
07	Spring hook, complete	SK1436
09	Latch holder, compl. with 10	SK2405084
10	Clamping pin	000.003.027
11	Spring noose with spacer	SK292130
12	Latch, complete	SK312152
13	Hexagon bolt, complete	SK352103
14	Tension spring	SK210638
15	Lock jaw 3½"	SK240514
15a	Lock jaw 3½" to suit grease nipple	SK240514Z
16	Bolt, complete	SK242154
17	Locking bolt	SK240501
18	Bar bolt, complete	SK212114

Fig.	Description	Part No.
19	Double tension spring	SK240523
20	Lever	SK240504
21	Hexagon bolt, complete	SK242152
22	Bearing	SK240515
23	Washer	SK240519
24	Spring noose	SK240509
25	Hexagon bolt, complete	SK242153
26	Hexagon bolt, complete	SK242151
27	Latch	SK240527
28	Handle	SK2405066
29	Bearing bushing	SK280503
30	Cylindrical notched pin	SK1533
31	Pivot pin	SK280501
32	Locking bolt	SK252105
33	Plate	SK280502
34	Grease nipple	SK252104
35	Pedestal, compl. with 29 + 30	SK282151

Repair and Conversion Kits

Fig.	Repair Kits	Part No.
1, 2, 5, 7, 12, 20, 27, 28	Repair kit for lock 3½"	SK242176
	Conversion Kits	
31, 32, 34	Handle extension retrofit kit, complete	SK282151