

JSK42

Technical Specification

The fifth wheel coupling complies with the following directives/standards: 94/20/ EC - Class G50, DIN 74081, ISO 3842. Suitable for mounting 2" king pins (50) as per 94/20/EC, DIN 74085, ISO 337 and steering wedges as per 94/20/EC, DIN 74085, AS/NZS 4968-1:2003.



Technical Data

D value (kN)	Imposed load U (t)	CRN
200	20	36130

Selection Table

Order No.	H (mm)	Standard or Greaseless
JSK42WJ150	150	G
JSK42WJ185	185	G
JSK42WJ225	225	G
JSK42WJ250	250	G
JSK42ZJ150	150	S
JSK42ZJ185	185	S
JSK42ZJ225	225	S
JSK42ZJ250	250	S

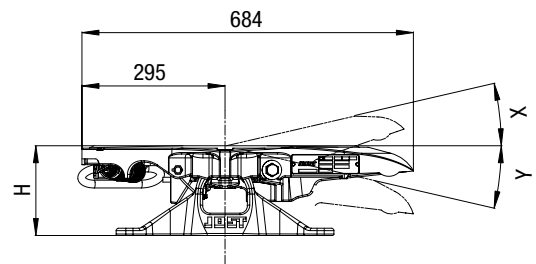
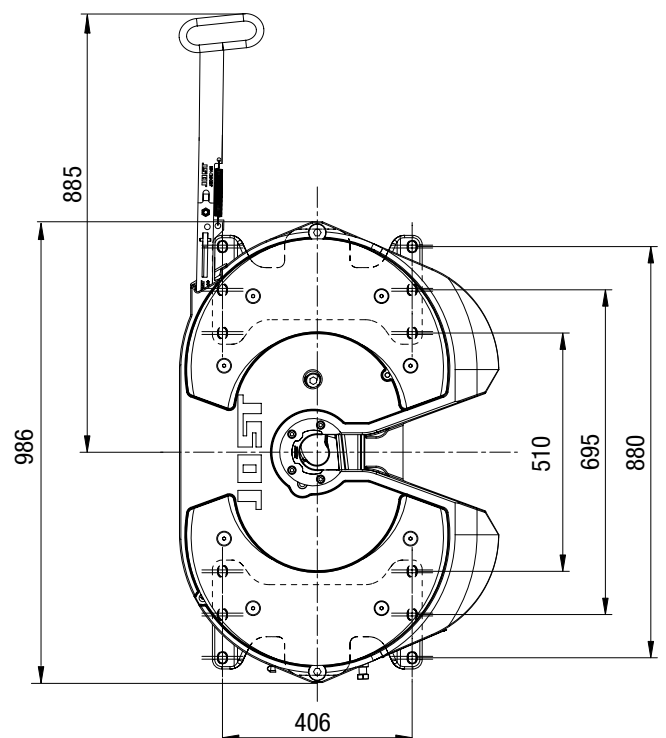
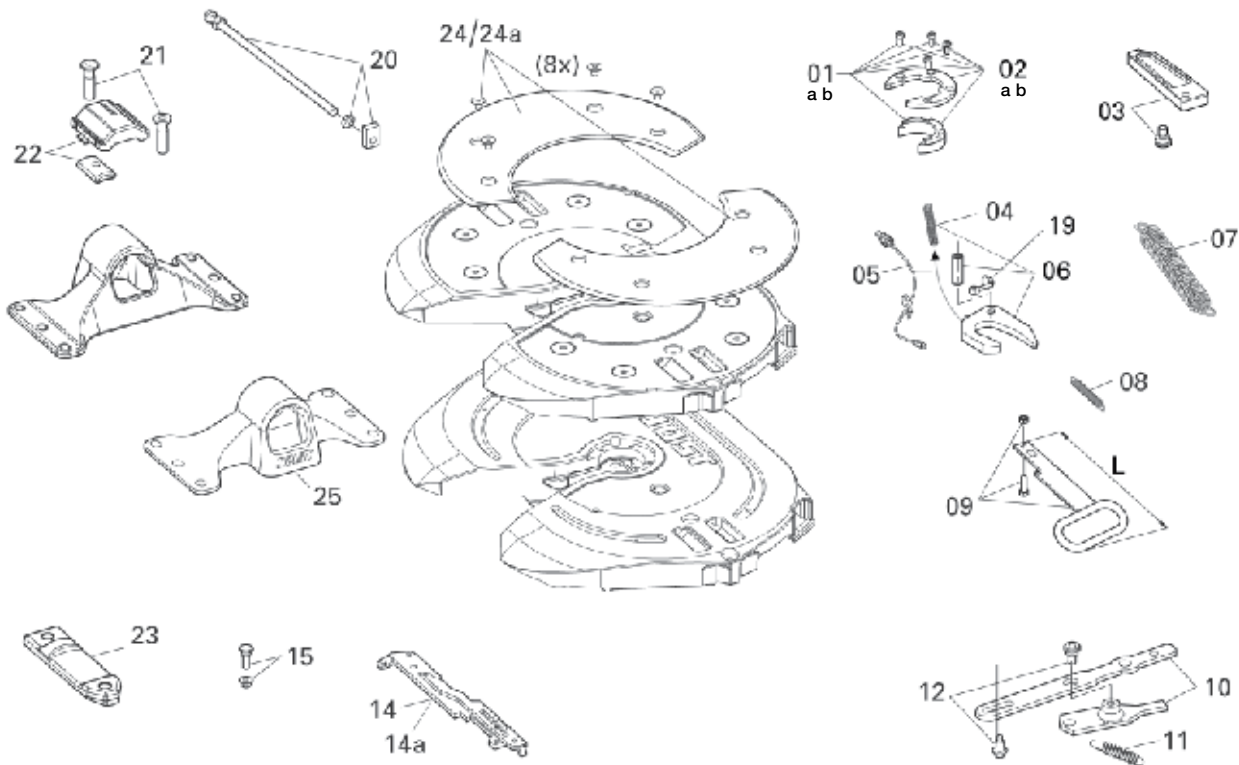


Plate mounting

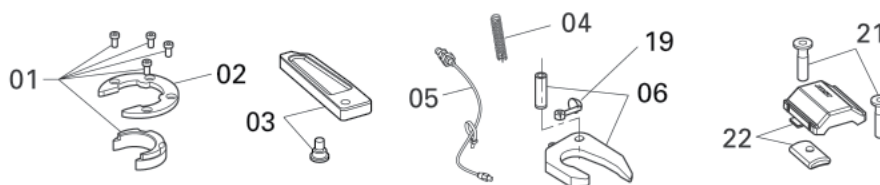


Spare parts for JSK42



Item	Designation	Order No.	Quantity per JSK	Item	Designation	Order No.	Quantity per JSK
01a	Wearing part with mounting bolt kit	SKE001740020	1	12	Lever bolts	SKE001750020	1
01b	Wear ring insert	SK310592	1	14	Lever, compl.	SKE001620020	1
02a	Mounting ring kit	SK310594	1	14a	Sensor locking bar lever kit	SKE001360300	1
02b	Wear ring	SK310593	1	15	Lever bolt	SKE001650020	1
03	Locking bar with mounting bolt	SKE001009720	1	19	Eye bolt, compl.	SK212204	1
04	Tension spring	SK847	1	20	Adjusting screw with guide	SKE500740220	1
05	Lubrication tube, compl. with cable tie	SK310802	1	21	Bolt	SKE001011400	4
06	Lock jaw	SK322152 Z	1	22	Collar, compl.	SKE001370020	2
07	Double tension spring	SK310520	1	23	Bridge	SKE001530220	2
08	Locking spring	SKE001440000	1	24	Skid plate with bolts, compl.	SKE100702010	1
09	Short handle, c/w 08	SKE001390020	1	24a	Steel inserts	SKE6000	1
09	Long handle, c/w 08	SKE001390120	1	25	Pedestal H 150	SKE001005620	2
10	Lever kit	SKE001380020	1	25	Pedestal H 185	SKE001005720	2
11	Lever spring	SKE001009800	1	25	Pedestal H 225	SKE001005820	2
				25	Pedestal H 250	SKE001005920	2

Repair and retrofit kits



Item	Designation	Order No.
01, 02, 03, 04, 05, 06, 19	Lock compl.	SKE001640020
21, 22	Collar compl.	SKE001370020
24a	Steel Inserts	SKE6000