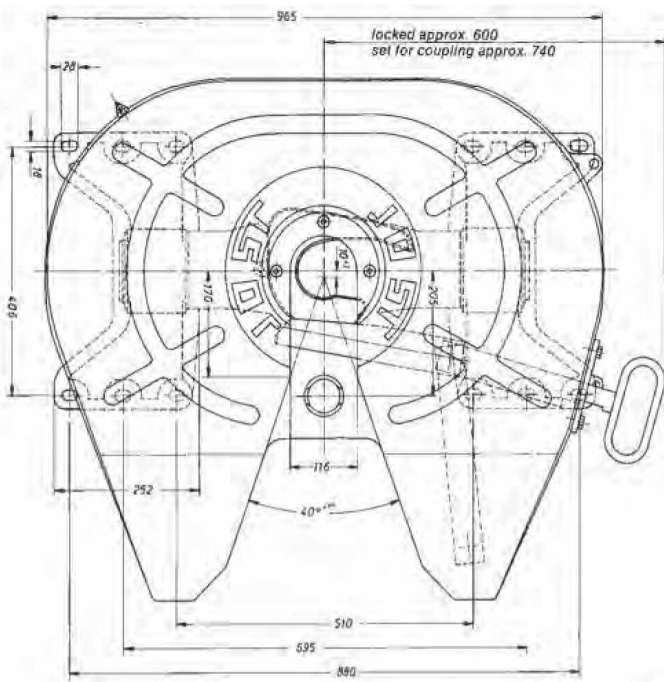
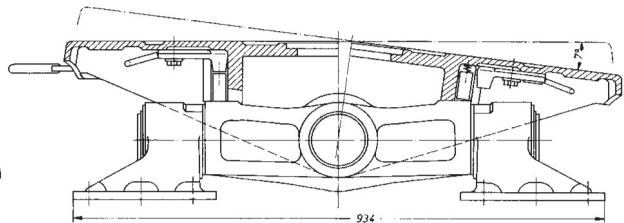
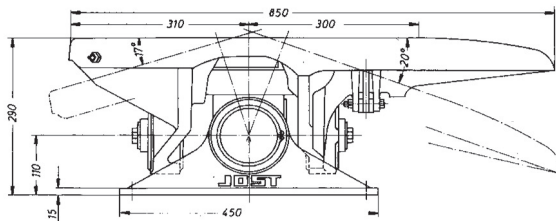


JSK38G1 / JSK38G2" – Cardan Mounting

with mounting pattern according to DIN 74 081 and 74 084



A heavy duty fifth wheel coupling for operation under arduous conditions.

The well known **JOST** locking device together with the maintenance free cardan mounting ensures a high degree of stability and safety on the road and off road.

The lateral movement of 7° can be reduced to 0° for normal road operation.

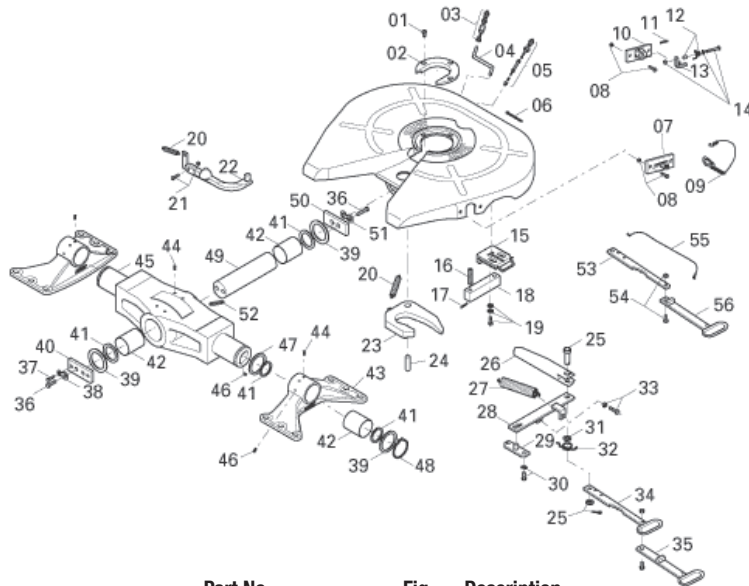
This fifth wheel is available for use with 3½" & 2" king pins.

The conversion of 2" & 3½" locking mechanism or vice versa can easily be carried out with standard tools, without removing the fifth wheel coupling from the tractive unit. Suitable for all types of rear axle steering systems.

| Type | King pin | Imposed load | D-value | Weight | Approval Number |
|----------|----------|--------------|---------|--------|-----------------------|
| JSK38G1 | 3½" | 36 000kg | 260kN | 265kg | ECE E1 55R-01 0336 |
| JSK38G2" | 2" | 28 000kg | 170kN | 265kg | ECE E1 55R-01 0443 |

The right to alter specifications is reserved.

Spare parts for Type JSK38G1 / Type JSK38G2"



| Fig. | Description | Part No. |
|------|---|-------------|
| 01 | Socket head cap screw | SK242108 |
| 02 | Wearing ring 3½" compl. with item 1 | SK242156 |
| 02 | Wearing ring 2" compl. with item 1 | SK242157 |
| 03 | Grease nipple compl. | SK1976 |
| 04 | Grease tube | SK1989 |
| 05 | Schmierleitung, compl. with item 6 | SK240802 |
| 06 | Tubing clamp | SK312113 |
| 07 | Guide plate up to series 70 | SK240522 |
| 08 | Hexagon head bolt compl. | SK242150 |
| 09 | Spring hook/chain up to series 70 | SK1436V |
| 10 | Latch plate compl. with 11 from series 72 | SK2405084 |
| 11 | Split pin | 000.003.027 |
| 12 | Spring compl. with spacer from series 72 | SK292130 |
| 13 | Latch compl. from series 72 | SK312152 |
| 14 | Bolt compl. form series 72 | SK352103 |
| 15 | Cover plate | SK250622 |
| 16 | Thrust spring | SK250615 |
| 17 | Clamping sleeve | SK252110 |
| 18 | Block | SK250635 |
| 19 | Hexagon bolt | SK252150 |
| 20 | Lock jaw spring | SK210601 |
| 21 | Hexagon head bolt compl. | SK242151 |
| 22 | Pin | SK240527 |
| 23 | Lock jaw 3½" | SK240514 |
| 23 | Lock jaw 2" | SK240513 |
| 24 | Pivot bolt | SK240518 |
| 25 | Pivot bolt compl. | SK212114 |
| 26 | Locking bar | SK240501 |
| 27 | Double tension spring | SK240523 |
| 28 | Lever | SK240504 |

| Fig. | Description | Part No. |
|------|----------------------------|-----------|
| 29 | Support | SK240515 |
| 30 | Hexagon head bolt compl. | SK242153 |
| 31 | Disc | SK240519 |
| 32 | Spring loop | SK240509 |
| 33 | Hexagon head bolt compl. | SK242152 |
| 34 | Operating handle | SK240566 |
| 35 | Handle | SK2405066 |
| 36 | Hexagon bolt | SK2034 |
| 37 | Hexagon bolt | SK252118 |
| 38 | Security plate | SK250421 |
| 39 | Distance ring | SK250414 |
| 40 | Plate | SK250418 |
| 41 | Seal | SK252107 |
| 42 | Bush | SK250416 |
| 43 | Pedestal with 42, 44, 46 | SK252152 |
| 44 | Dowel pin | SK1533 |
| 45 | Lock lever compl. | SK252151 |
| 46 | Grease nipple | SK252104 |
| 47 | Distance plate | SK11921 |
| 48 | Circlip | SK1435 |
| 49 | Pivot | SK250417 |
| 50 | Lock | SK250419 |
| 51 | Security plate | SK250420 |
| 52 | Grease nipple | SK252157 |
| 53 | Extended handle lower part | SK2405067 |
| 54 | Hexagon bolt | SK242150 |
| 55 | Latch cord compl. | SK352102 |
| 56 | Extended handle grip | SK3105113 |

Repair and Conversion Kits

| Fig. | Repair Kits | Part No. |
|--------------------------------|-----------------------------------|-----------|
| 01, 02, 05, 09, 20, 23, 24, 27 | Repair kit for locking device 3½" | SK242176 |
| 01, 02, 05, 09, 20, 23, 24, 27 | Repair kit for locking device 2" | SK242177 |
| 35, 54, 55 | Handle extension | SK3121063 |
| Conversion kits | | |
| 01, 02, 20,23 | Conversion from 3½" pin to 2" pin | SK242198 |
| 01, 02, 20,23 | Conversion from 2" pin to 3½" pin | SK242199 |