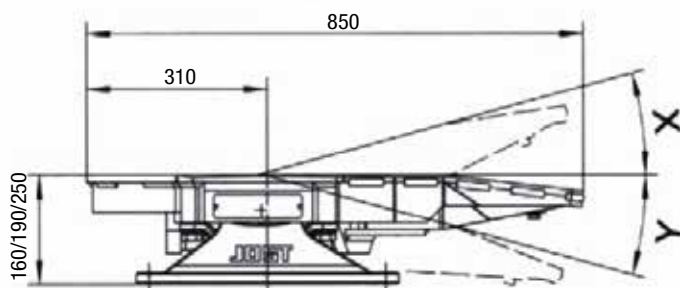
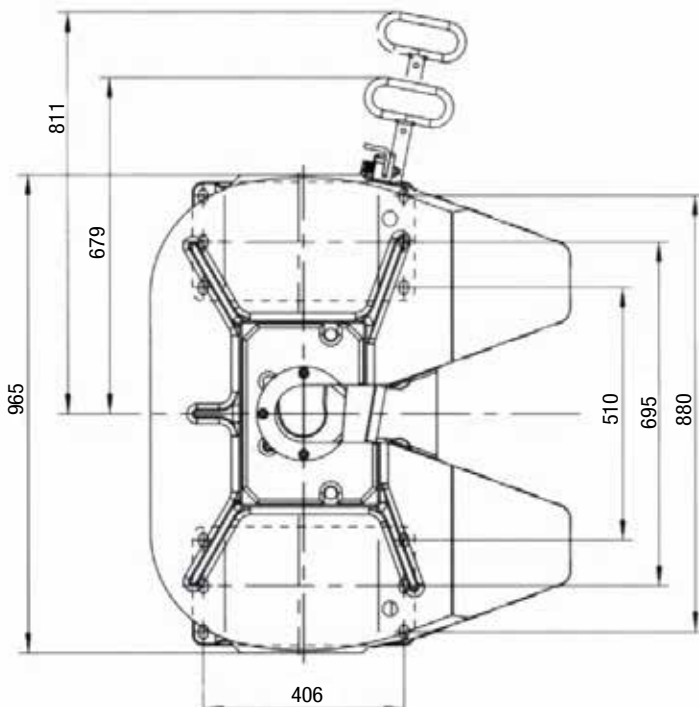


JSK38DV90 - Rubber Bearing

A heavy duty fifth wheel coupling for operation under arduous conditions.



Increased load (up to 28,000kg). With rubber bearing (model "C"): rubber cushions are shock- absorbent and maintenance-free.

Technical specification:

Rubber bearing

The fifth wheel coupling complies with the directives/standards as per 94/20/EC - Class S, DIN 74084 and ISO 3842. Suitable for 3,5" (90) king pins as per 94/20/EC, DIN 74083 and ISO 4086. Fitted on a mounting plate.

Imposed weight	28,000 kg
D-value	260 kN
Weight	204 kg
CRN	36688

Spare parts for fifth wheel couplings Type JSK38DV90

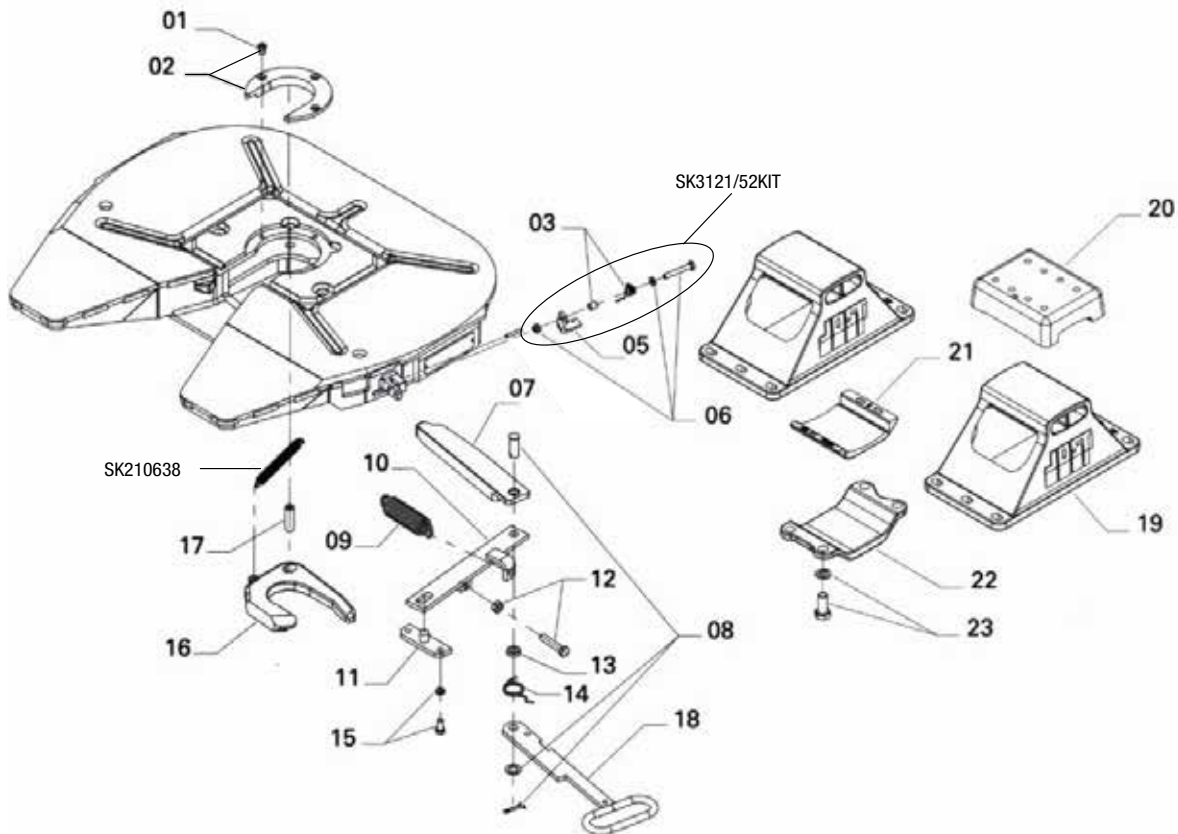


Fig.	Description	Part No.
01	Socket head bolt	SK242108
02	Wearig ring, complete	SK242156
03	Spring noose, complete	SK312159
04	Jaw tension spring	SK210638
05	Latch kit, complete	SK312152 KIT
06	Hexagon bolt, complete	SK352103
07	Locking bar	SKE003750000
08	Bar bolt, complete	SKE003760001
09	Double tension spring	SK240523
10	Lever	SK240504
11	Bearing	SK240515
12	Hexagon bolt, complete	SK242152
13	Washer	SK240519
14	Spring noose	SK240509
15	Hexagon bolt, complete	SK244153
16	Lock jaw	SK240514Z
17	Pivot	SK240518
18	Handle	SKE003740000

Fig.	Description	Part No.
19a	Pedestal 160mm	SK240405
19b	Pedestal 190mm	SK240401
19c	Pedestal 250mm	SK240404
20	Rubber cushion, upper	SK2006
21	Rubber cushion, lower	SK2007
22	Bridge	SK2005
23	Hexagon bolt, complete	SK242155

Repair Kits

Fig.	Repair Kits	Part No.
01, 02, 04, 09, 16, 17	Repair kit for lock 3.5"	SK242176
20, 21, 23	Repair kit for bearing	SK242178
05, 03, 06	Repair kit for latch, complete	SK312152 KIT