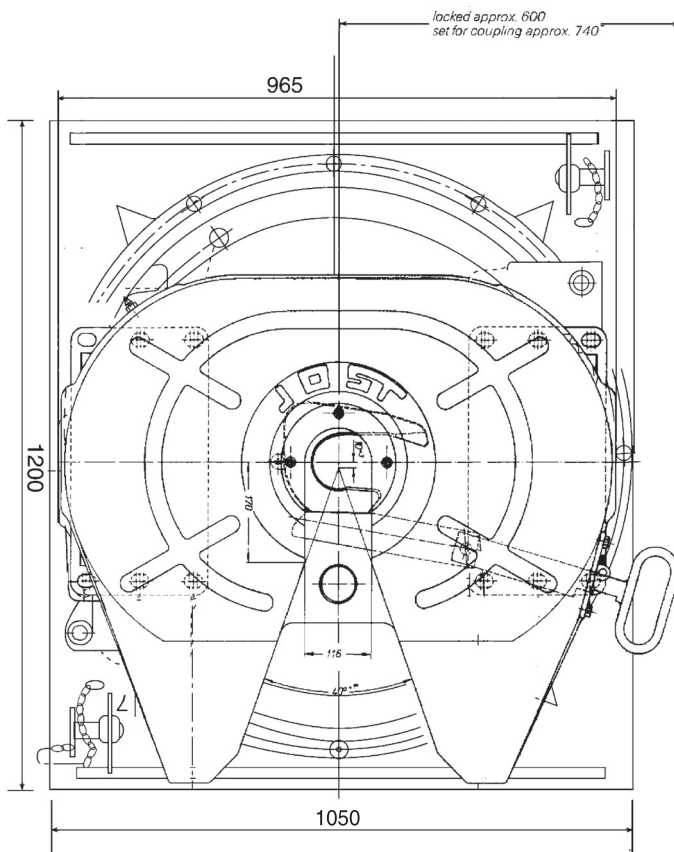
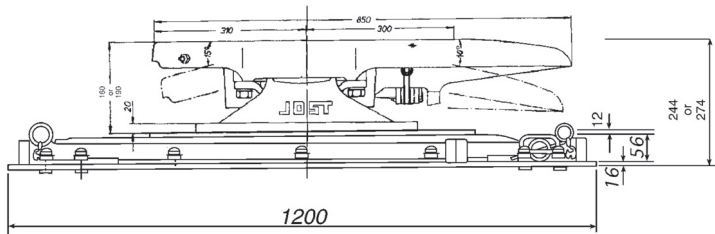


LP38C116016, LP38C119016 Cast Top LP38C216016, LP38C219016 Cast Top Low profile stabilised fifth wheel assembly



Heavy duty Applications: Stock crate
Fridge van
General freight
Tankers

Standard with 16 mm base plate
optional: 20 mm base plate
LP38C 20mm

*Note thicker base plate determines extra weight and height.

D-Value
JSK38C1W 240 kN
JSK38C2W 170 kN
Overall height
(with 190 mm Feet) 274 mm
(with 160 mm Feet) 244 mm
Imposed load 20000 kgs
Weight approx. 444 kgs
(for 16 mm base plate)

Approval Number
JSK38C1 ECE E1 55R-01 0471
JSK38C2 ECE E1 55R-01 0472
LP Subassembly CTA-047151

Twin lockouts.

Flush bolt heads on mounting plate in chassis mounting zone. Cast type unit equipped with JSK38 fifth wheel extra heavy duty unit. Jaws sizes can be changed from 50 mm or 90 mm diameter. Mounting must be carried out in accordance with our instructions.

Spare parts for LP38C Cast Top

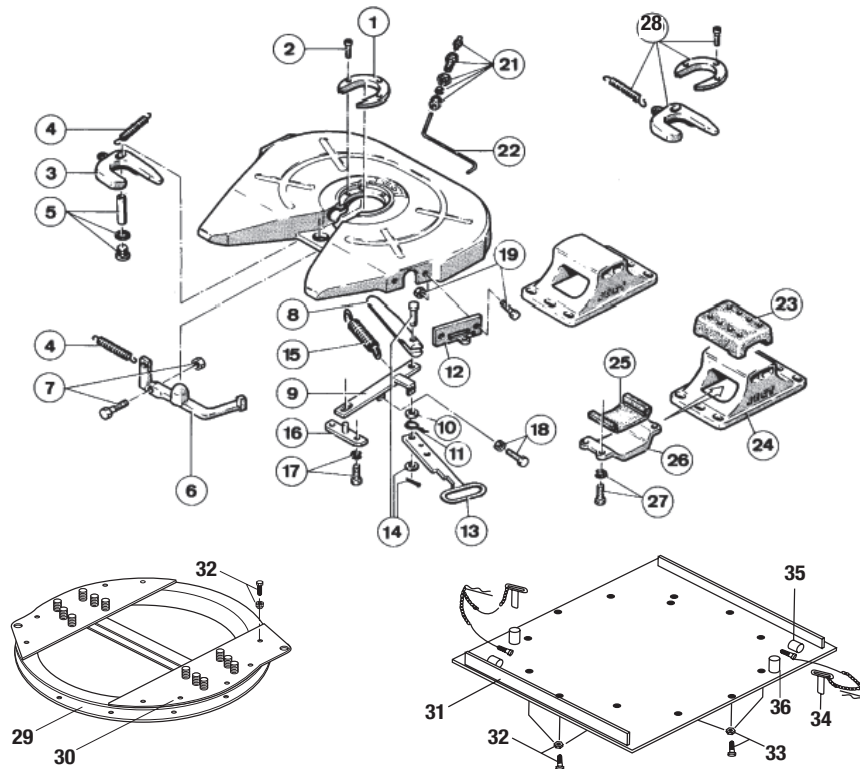


Fig.	Description	Part No.
01	Wearing ring 3½" compl. with item 2	SK242156
01	Wearing ring 2" compl. with item 2	SK242157
02	Socket head bolt	SK242108
03	Lock jaw 3½"	SK240514
03	Lock jaw 2"	SK240513
04	Lock jaw spring	SK210601
05	Bolt complete	SK242154
06	Stopper	SK240527
07	Hexagon head bolt	SK242151
08	Locking bar	SK240501
09	Lever	SK240504
10	Disc	SK240519
11	Spring loop	SK240509
12	Support bracket	SK2405084
13	Operating handle	SK240502
14	Locking bar bolt	SK212114
15	Double tension spring	SK240523
16	Support	SK240515
17	Hexagon head bolt complete	SK242153
18	Hexagon head bolt complete	SK242152
19	Hexagon head bolt complete	SK242150
20	Spring hook complete	SK1436

Fig.	Description	Part No.
21	Grease nipple complete	SK1976
22	Grease tube	SK220512
23	Upper rubber cushion	SK2006
24a	Pedestal 160 mm Bolt on/weldable	SK240405
24b	Pedestal 190 mm Bolt on/weldable	SK240401
24c	Pedestal 250 mm Bolt on/weldable	SK240404
25	Lower rubber cushion	SK2007
26	Mounting bracket	SK2005
26a	For use with 160mm pedestals	SK20051
27	Hexagon head bolt	SK242155
29	Ball bearing	KDL 9006W
30	Half moon compl.	SK370629
31	Base plate (16mm) incl. 34, 36	SK370616
31b	Base plate (20mm) incl. 34, 36	SK370620
32	Hex. bolt compl.	SK372104
33	Countersunk bolt compl.	SK372105
34	lock out pin compl. old style	SK370610
34a	Lock out pin, new style	SK370609
35	Tube park old style	SK370604
36	Tube lock out	SK370605
36b	Tube lock out, new style	SK370504

Repair and Conversion Kits

Fig.	Repair Kits	Part No.
01, 03, 04, 05, 15, 20	Repair kit for locking device 3½"	SK242176
01, 03, 04, 05, 15, 20	Repair kit for locking device 2"	SK242177
23, 25, 27	Repair kit for rubber bearing	SK242178
Conversion Kits		
28a	Kit to convert 3½" to 2" locking mechanism	SK242198
28b	Kit to convert 2" to 3½" locking mechanism	SK242199