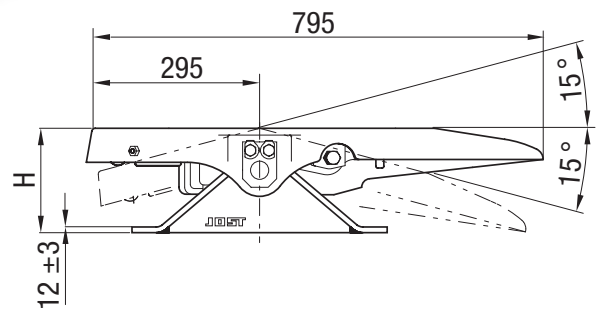
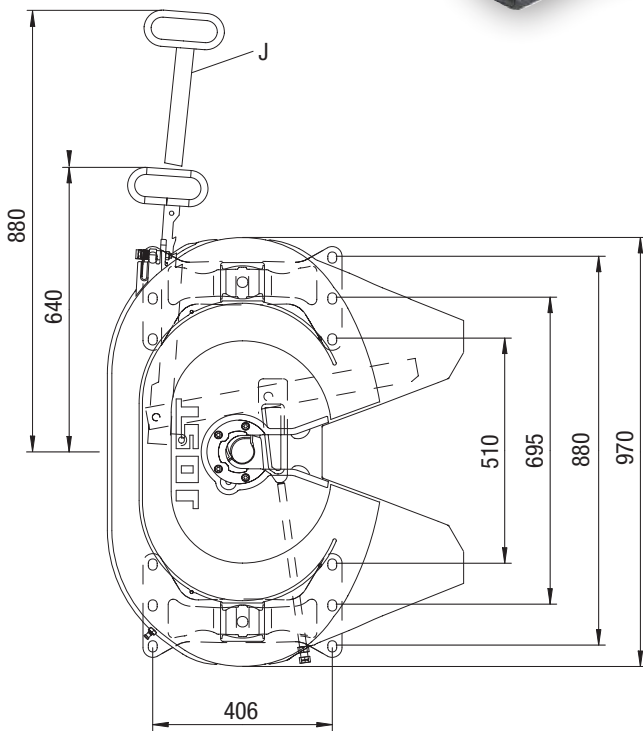


JSK37E Pivot bearing

With Wear Ring & External Jaw Lubrication



Applications: Highway Work
Tipper Work

Lock jaw and wear ring can be replaced without difficulty in a few minutes with the fifth wheel still in position.

Available with extended operating handle (240mm) on demand.

Mounting must be carried out in accordance with our instructions.

Mounting hole pattern in accordance with DIN standard 74081 and ISO standard 3842. Suitable for all types of rear axle steering systems.

The right to alter specifications is reserved.

Type	Overall height mm	Imposed Load kg	D-value kN	Weight approx kg.	Pedestal style	Approval Number
JSK37E130MM	130	20000	190	122	Weld on	CTA-036821
JSK37E150MM	150	20000	190	124	Weld on*	
JSK37E170MM	170	20000	190	129	Weld on*	
JSK37E185MM	185	20000	190	129	Weld on*	
JSK37E195MM	195	20000	190	130	Weld on	
JSK37E205MM	205	20000	190	132	Weld on	
JSK37E215MM	215	20000	190	132	Weld on	
JSK37E235MM	235	20000	190	134	Weld on	
JSK37E255MM	255	20000	190	137	Weld on	

*Bolt on pedestals are available on request

Spare parts for JSK37E

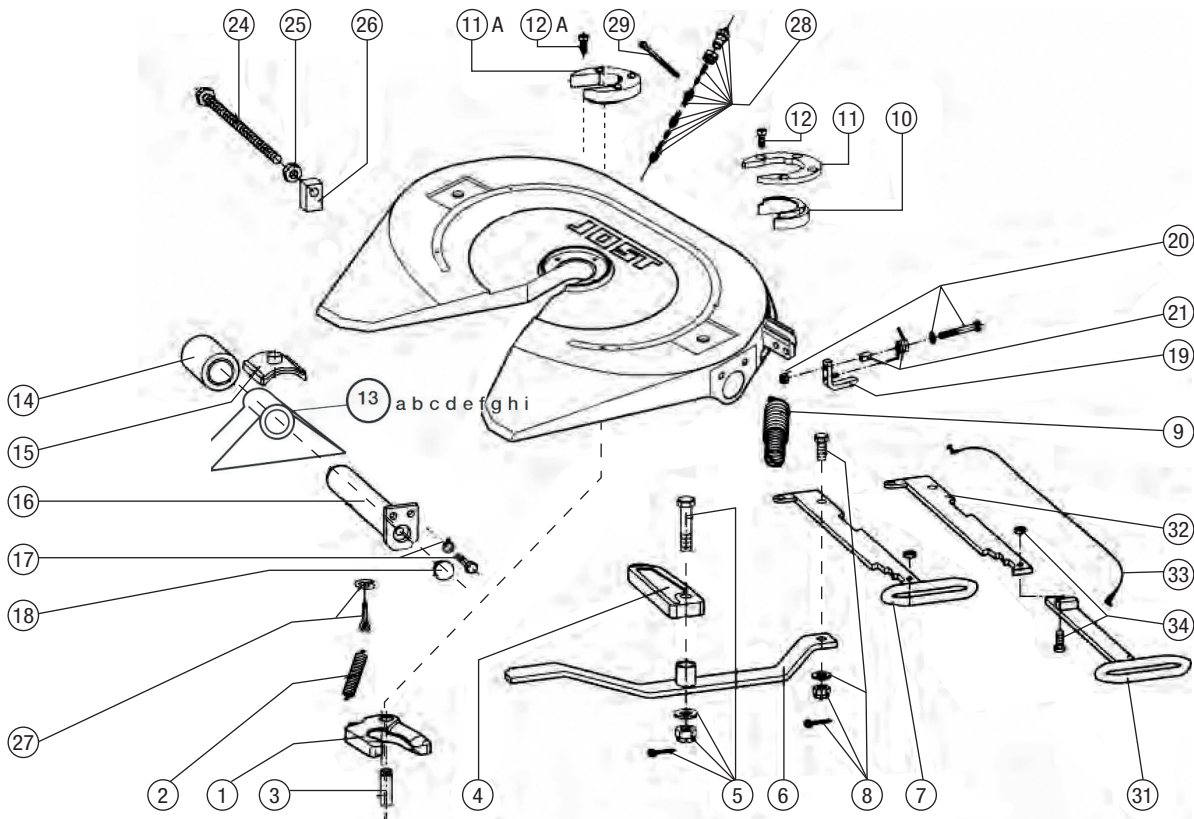


Fig.	Description	Part No.
01	Jaw	SK1489Z
02	Jaw Spring	SK847
03	Jaw Pivot	SK210667
04	Locking Bar	SK320506
05	Lock Bar Bolt	SK322101
06	Release Lever	SK310518
07	Operating Handle	SK310515
08	Head Bolt	SK1513
09	Double Tension Spring	SK310520
10	Wearing Ring Insert	SK310592
11	Wearing Ring Fixture	SK310593
11a	Wearing Ring Fixture	SK210519
12	Socket Head Bolt	SK312155
12a	Socket Head Bolt	SK212107
13a	Fabricated Pedestals 130	SK2920130
13b	Fabricated Pedestals 150	SK2920150
13c	Fabricated Pedestals 170	SK2920170
13d	Fabricated Pedestals 185	SK2920185
13e	Fabricated Pedestals 195	SK2920195
13f	Fabricated Pedestals 205	SK2920205
13g	Fabricated Pedestals 215	SK2920215
13h	Fabricated Pedestals 235	SK2920235

Fig.	Description	Part No.
13i	Fabricated Pedestals 255	SK2920255
13j	Bolt on Pedestals 150mm	SK290442
13k	Bolt on Pedestals 170mm	SK290441E
13l	Bolt on Pedestals 185mm	SK290440
14	Rubber bushing for bolt on feet	SK290595
14a	Poly Bush	SK290520
15	Collar	SK310595
16	Swivel Pin	SK310405
17	Swivel Pin Bolt	SK312128
18	Swivel Pin Plug	JS 110112
19	Spring Latch 1996 onwards	SK312152
20	Bolt for Spring Latch	SK352103
21	Spring for Latch	SK312159
24	Adjusting Screw	SK310597
25	Hex Nut	SK212178
26	Guide Piece	SK320507
27	Eye Bolt Complete	SK212204
28	Grease Line Complete	SK310802
31	Handle Extension	SK3105113
32	Internal Operating Handle	SK3105115
33	Cable Extension	SK352102
34	Extended Handle Bolt	SK242150

Repair Kits

Fig.	Repair Kits	Part No.
01, 02, 03	Repair kit for locking device	SK322152Z
14, 15, 16, 17, 18	Repair kit	SK3121061

Fig.	Repair Kits	Part No.
01, 02, 03, 08, 10, 12, 28	Repair kit for locking device	SK3121060Z
10, 11, 12	Repair kit for wearing ring	SK310594
22, 23, 24	Repair kit for spring latch	SK312152 Kit