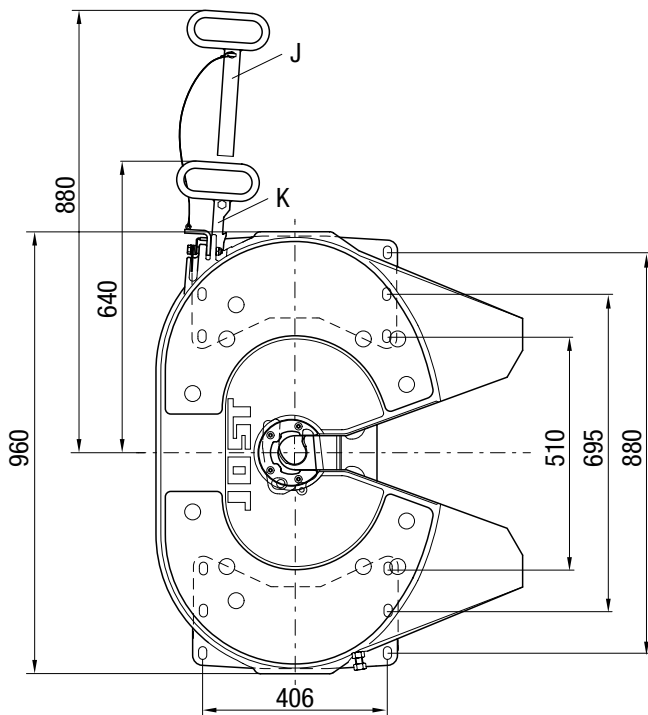
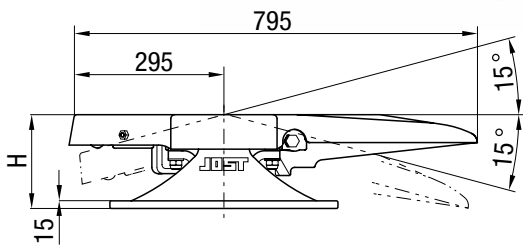


JSK37CZW

Rubber Mounting - Low Maintenance



Applications: Tanker
General freight
Stock crate
Fridge van
B-double
Road train

Low maintenance fifth wheel coupling:

- maintenance free top plate
- maintenance free rubber cushioned pivot bearings
- maintenance free wearing ring
- only one remaining grease point the lock jaw (little grease required)

Lock jaw and wearing ring can be replaced without difficulty in a few minutes with the fifth wheel still in position.

Available with extended operating handle (240mm) on demand.

Mounting must be carried out in accordance with our instructions.

Mounting hole pattern in accordance with DIN standard 74081 and ISO standard 3842.

Type	Overall height mm	Imposed Load kg	D-value Kn	Weight approx kg.	CRN
JSK37C150W	150	20000	190	136	24286
JSK37C170W	170	20000	190	139	
JSK37C185W	185	20000	190	141	
JSK37C220W	220	20000	190	143	
JSK37C250W	250	20000	190	145	
*JSK37C300W	300	20000	190	161	

* Note 300mm non weldable pedestals

The right to alter specifications is reserved.

Spare parts for JSK37CZW

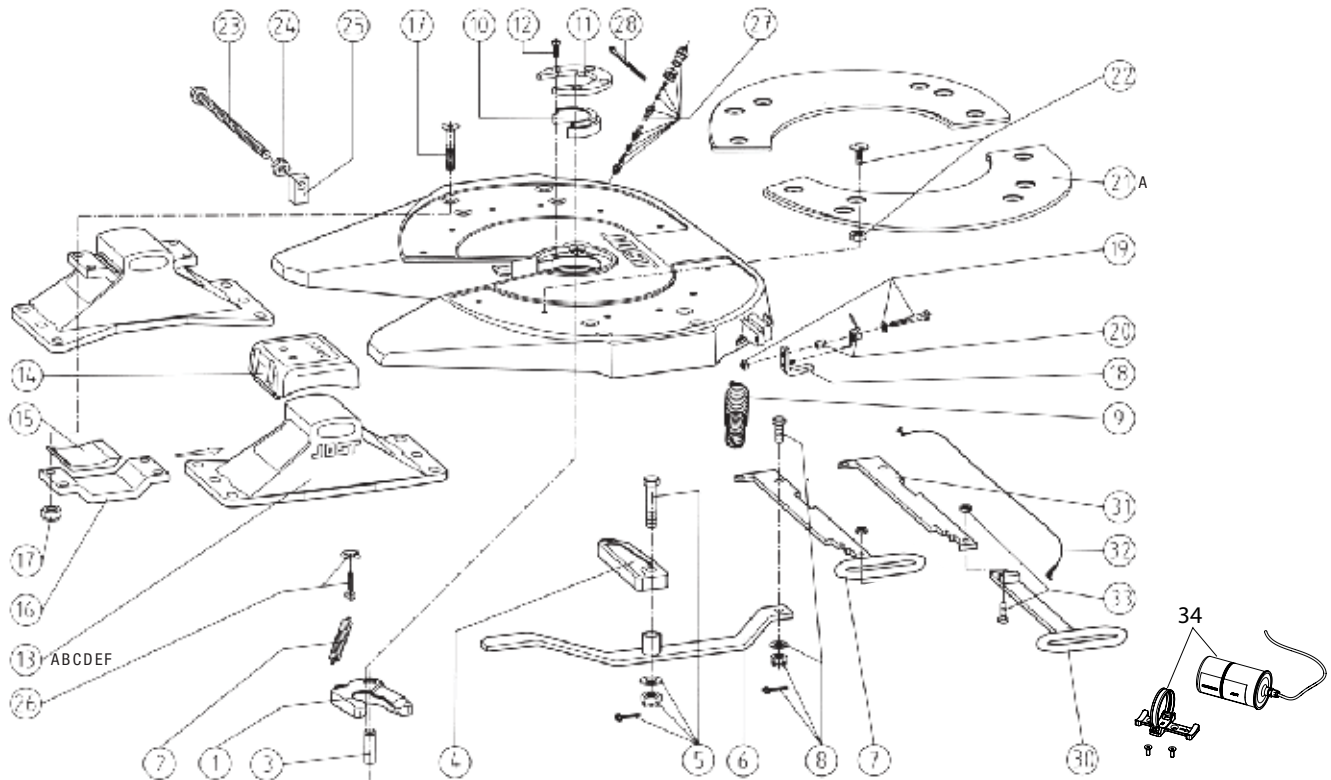


Fig.	Description	Part No.
01	Lock jaw	SK1489Z
02	Lock jaw spring	SK847
03	Pivot for lock jaw, compl.	SK210667
04	Locking bar	SK320506
05	Locking bar bolt, compl.	SK322101
06	Lever	SK310518
07	Operating handle (standard)	SK310515
08	Head bolt	SK1513
09	Double tension spring	SK310520
10	Wear ring insert	SK310592
11	Wear ring	SK310593
12	Socket head bolt	SK312155
13a	Pedestal (150mm) bolt on/weldable	SK210402X
13b	Pedestal (170mm) bolt on/weldable	SK210421X
13c	Pedestal (185mm) bolt on/weldable	SK210401X
13d	Pedestal (220mm) bolt on/weldable	SK210418X
13e	Pedestal (250mm) bolt on/weldable	SK210414X
13f	Pedestal (300mm) bolt on	SK210420
14	Upper rubber cushion	SK1259
15	Lower rubber cushion	SK210525

Fig.	Description	Part No.
16	Mounting bracket	SK1372
17	Countersunk bolt, compl.	SK212115
18	Latch	SK312152
19	Bolt for spring latch	SK352103
20	Spring noose with spacer	SK312159
21	Top plate liner, right hand (new style)	SK3105/130L
21	Top plate liner, left hand (new style)	SK3105/130R
22	Hexalobular bolt (new style bolt only)	SKT 001006000
23	Adjusting screw	SK310597
24	Hexagon nut	SK212178
25	Guide piece	SK320507
26	Eye bolt, compl.	SK212204
27	Lubrication tubing, compl.	SK310802
28	Tubing clamp	SK312113
30	Extended handle, grip	SK3105113
31	Extended handle, lower part	SK3105115
32	Latch cord, compl.	SK352102
33	Socket head bolt, compl.	SK242150
34	Lubetronic grease cartridge	SKE003110310

Repair Kits

Fig.	Repair Kits	Part No.
01, 02, 03	Repair kit for locking device	SK322152Z
10, 11, 12	Repair kit for wearing ring	SK310594
14, 15, 17	Repair kit for bearing	SK212169Z
18, 19, 20	Repair kit for spring latch	SK312152
19, 20, 21	Repair kit for spring latch	Kit SK312159
21, 22	Repair kit for top plate liner (6 bolt)	SK3106007

Fig.	Repair Kits	Part No.
21, 22a	Steel Inserts Kit 8mm (6 bolt)	SK4000
22	Steel Inserts 6 bolt LH	SK4001L
22	Steel Inserts 6 bolt RH	SK4001R
30, 32, 33	Handle extension, compl.	SK3121063
18, 19, 20	Repair kit for spring latch	SK312152 Kit

The right to alter specifications is reserved