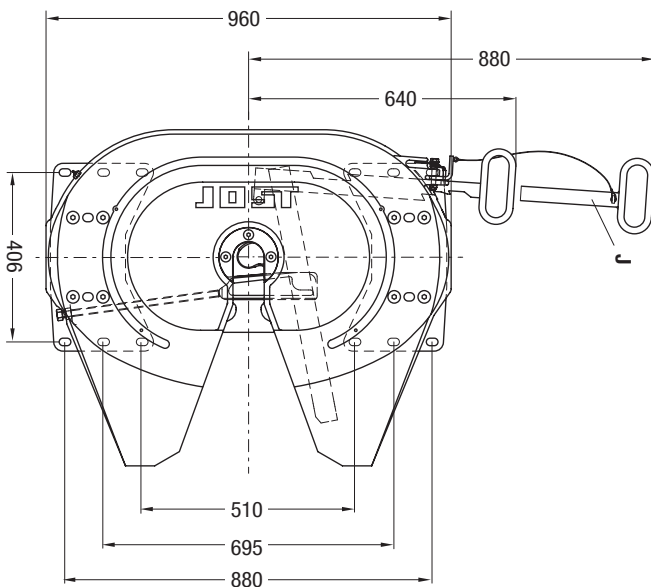
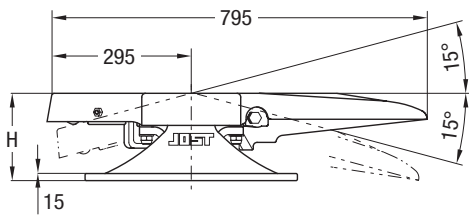


JSK37CZ Rubber Mount

With Wear Ring & External Jaw Lubrication



Applications: Tanker
General freight
Fridge van
B-double
Road train

The fifth wheel comes standard with bolt on/weld on feet.

The fifth wheel coupling can be linked to the central lubrication system of the prime mover.

Lock jaw and wear ring can be replaced without difficulty in a few minutes with the fifth wheel still in position.

Shock absorbing large rubber pads. Oil and grease resistant.

Mounting must be carried out in accordance with our instructions.

Type	Overall Height mm	Imposed Load kg	D-Value kN	Weight Approx. kg	Approval Number
JSK37CZ/150	150	20000	190	144.5	CTA-041876
JSK37CZ/170	170	20000	190	146.5	
JSK37CZ/185	185	20000	190	148.5	
JSK37CZ/220	220	20000	190	155.5	
JSK37CZ/250	250	20000	190	160.5	
*JSK37CZ/300	300	20000	190	176.5	

* Note 300mm non weldable pedestals

The right to alter specifications is reserved.

Spare parts for type JSK37CZ

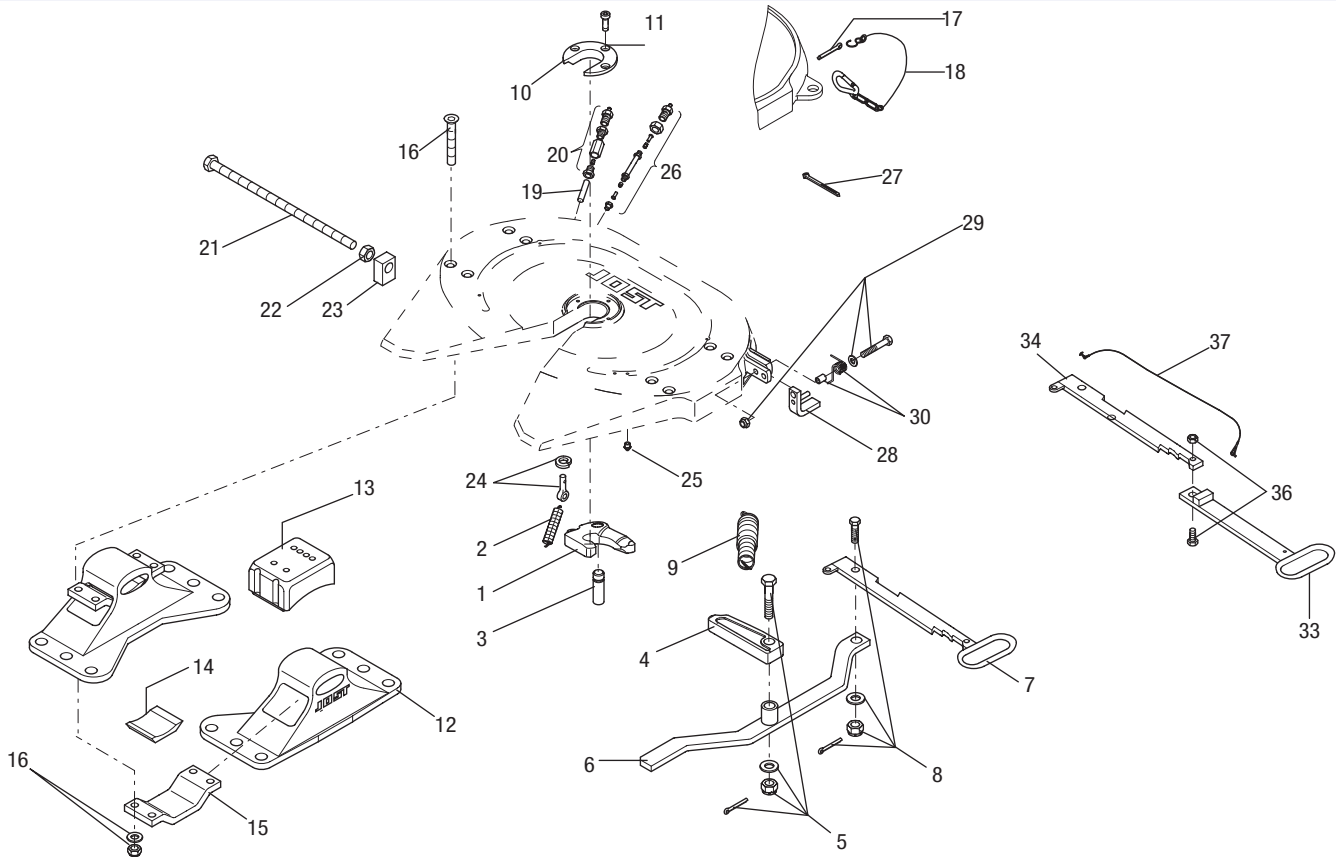


Fig.	Description	Part No.
01	Lock jaw	SK1489Z
02	Lock jaw spring	SK847
03	Pivot for lock jaw, compl.	SK210667
04	Locking bar	SK320506
05	Locking bar bolt, compl.	SK322101
06	Lever	SK310518
07	Operating handle	SK310515
08	Socket head bolt	SK1513
09	Double tension spring	SK310520
10	Wearing ring	SK210519
11	Head bolt	SK212107
12b	Pedestal (150 mm) Bolt on\Weld on	SK210402X
12c	Pedestal (170 mm) Bolt on\Weld on	SK210421X
12a	Pedestal (185 mm) Bolt on\Weld on	SK210401X
12d	Pedestal (220 mm) Bolt on\Weld on	SK210418X
12e	Pedestal (250 mm) Bolt on\Weld on	SK210414X
12f	Pedestal (300 mm) Non Weldable	SK210420
13	Upper rubber cushion	SK1259
14	Lower rubber cushion	SK210525
15	Mounting bracket	SK1372

Fig.	Description	Part No.
16	Socket head bolt, compl. with nut	SK212115
17	Split pin	SK1974
18	Spring hook Pre 1996	SK1436
19	Lubrication fitting steel	SK1989
20	Grease nipple compl.	SK1976
21	Adjusting screw	SK310505
22	Hexagon nut	SK212178
23	Guide piece	SK320507
24	Eye bolt comp.	SK212204
25	Grease nipple	SK312111
26	Lubrication tubing nylon	SK310802
27	Tubing clamp	SK312113
28	Spring latch 1996 onwards	SK312152
29	Bolt for spring latch	SK352103
30	Spring for latch	SK312159
33	Handle Extension	SK3105113
34	Internal Operating Handle	SK3105115
35	Head Bolt	SK1513
36	Extended Handle Bolt	SK242150
37	Cable Extension	SK352102

Repair Kits

Fig.	Repair Kits	Part No.
01, 02, 03, 10, 11	Repair kit for locking device	SK322150Z
01, 02, 03	Repair kit for locking device	SK322152Z
01, 02, 03, 08, 10, 11, 18,	Repair kit for locking device	SK312150
13, 14, 16	Repair kit for rubber bearing	SK212169Z
28, 29, 30	Repair kit for spring latch	SK312152 Kit