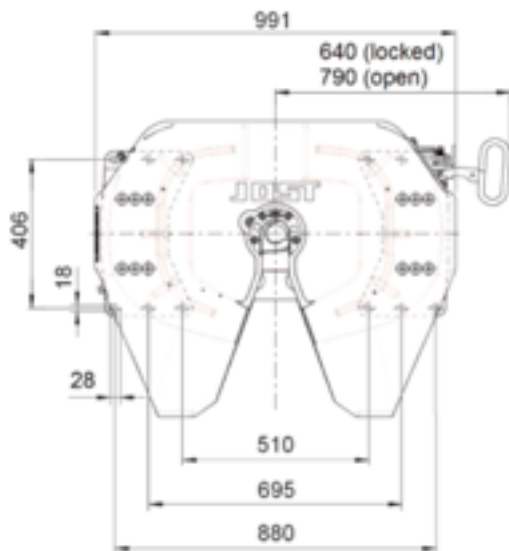
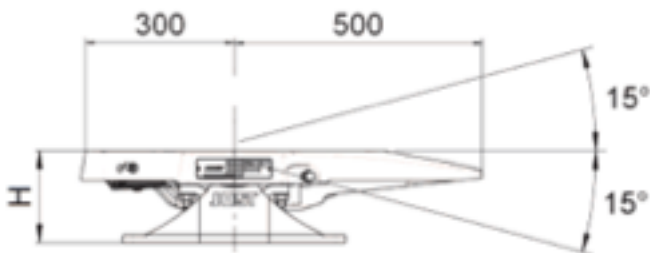


JSK37 CX Rubber Mount

With Wear Ring & External Jaw Lubrication



Applications: Stock crate
Fridge van
Tanker
B-double
Road train

Sturdier fifth wheel coupling plate, with central relief to avoid load concentration on the coupling system. A heavy-duty fifth wheel coupling for operation in arduous conditions. Pedestals fixed by 6 bolts. Hole areas have been reinforced.

Lock jaw and wear ring can be replaced without difficulty in a few minutes with the fifth wheel still in position. Mounting must be carried out in accordance with our mounting instruction.

Type	Overall Height mm	Imposed Load kg	D-Value kN	Weight Approx. kg	CRN
JSK37CX/150	150	24000	240	162	45374
JSK37CX/170	170	24000	240	168	
JSK37CX/185	185	24000	240	170	
JSK37CX/220	220	24000	240	179	
JSK37CX/250	250	24000	240	182	
*JSK37CX/300	300	24000	240	190	

* Note 300mm non weldable pedestals

Spare parts for type JSK37CX

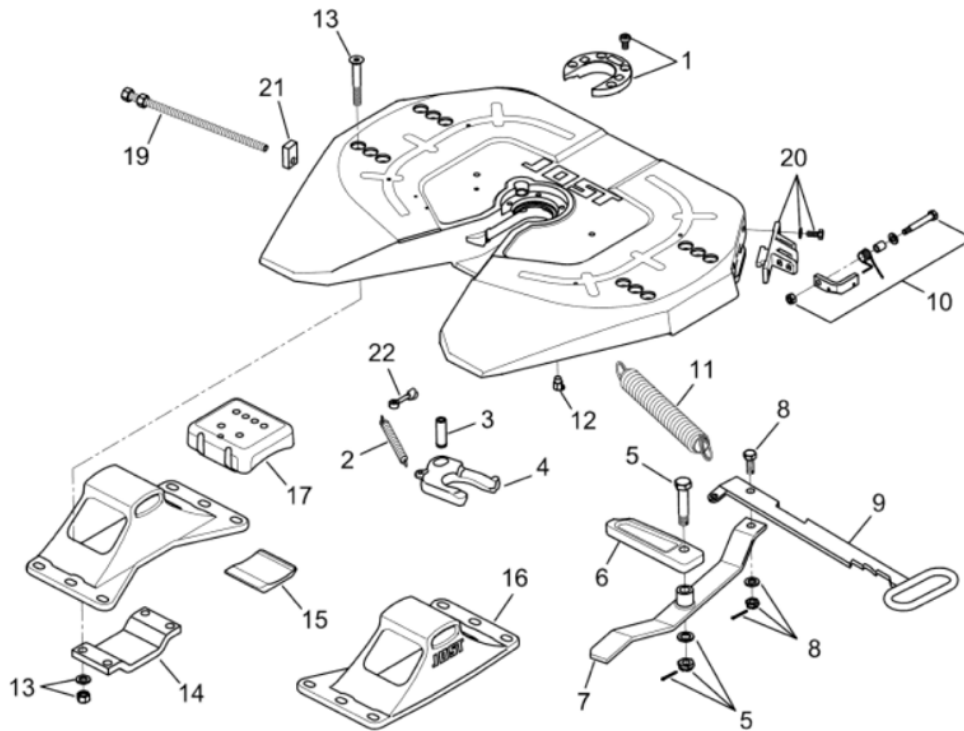


Fig.	Description	Code
01	Wearing ring and bolts	QR00269J00
02	Lock jaw spring	SK847
03	Pivot	SK210667
04	Locking jaw	SK1489Z
05	Bolt (complete)	SK322101
06	Locking bolt	SK320506
07	Lever with bushing	SK310518
08	Head bolt	SK1513
09	Lever handle	SK310515
10	Latch kit	SK312152KIT
11	Double tension spring	SK310520
12	Fitting	SK312111
13	Complete countersunk bolt	SK212115

Fig.	Description	Code
14	Mounting bracket	QR00215J01
15	Lower rubber cushion	SK21025
16a	Pedestal (150mm)	SK210402X
16b	Pedestal (170mm)	SK210421X
16c	Pedestal (185mm)	SK210401X
16d	Pedestal (220mm)	SK210418X
16e	Pedestal (250mm)	SK210414X
16f	Pedestal (300mm)	SK210420
17	Upper Rubber Cushion	SK1259
19	Adjustment screw	AD01148B80
20	Guide latch complete security	QR00270J00
21	Guide with thread	SK320507
22	Pin with eyelet	SK212204

Repair Kits

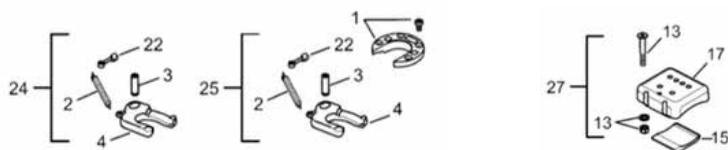


Fig.	Repair Kits	Part No.
24	Locking latch kit - items 2, 3, 4, 22	SK322152Z
25	Kit locking claw - items 1, 2, 3, 4, 22	SK322150CX
27	Base plate fastening kit - items 13, 15, 17 (with 4 screws)	SK212169CX