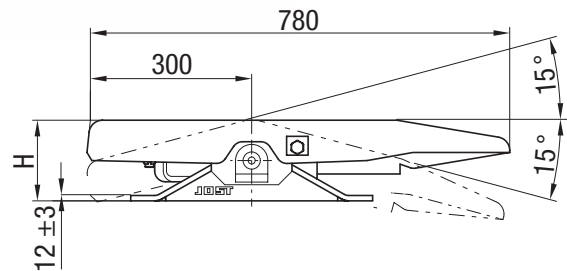
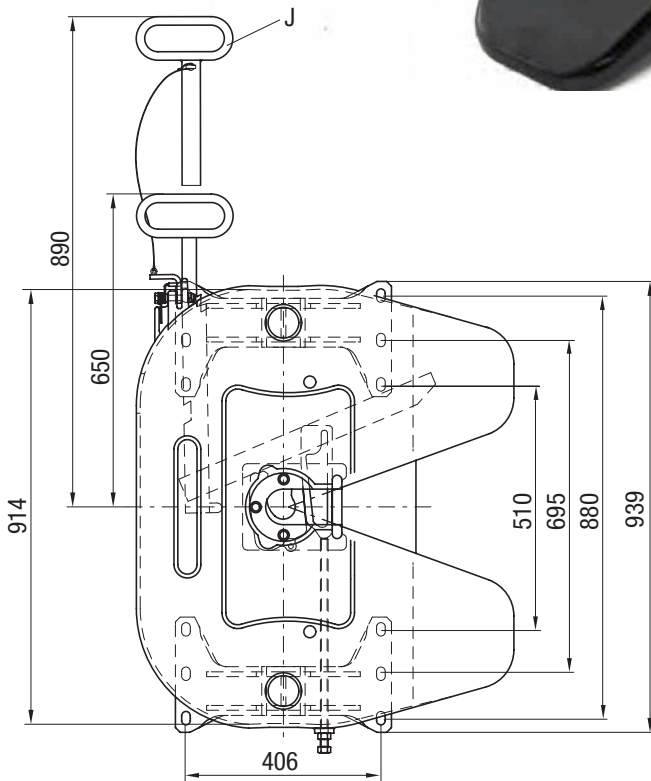


# JSK36 DV1 Pivot Bearing Mount

Pressed Steel



## Rubber cushioned pivot bearings

**Application:** General Freight  
Tipper work

For use with single trailers and B Double (not Road Train)

D-value 152 kN  
Approval Number E1 55R-01 0301  
Weight approx. 136 kg (bolt on feet)  
(for 150mm height)

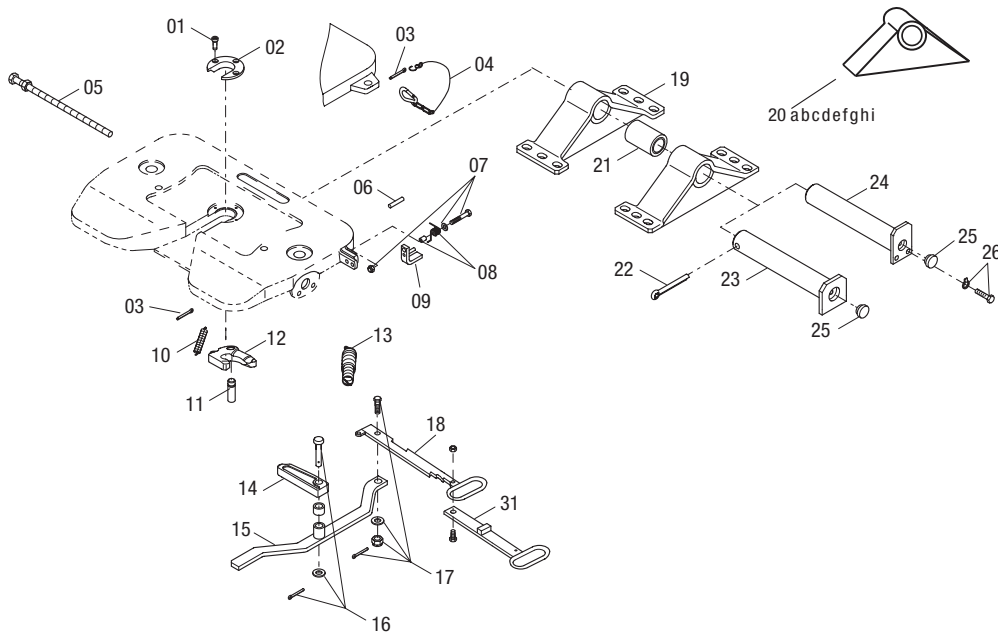
Available with Fabricated-weld on Pedestals upon request.

Mounting must be carried out in accordance with our instructions.

Type	Overall Height mm	Imposed Load On Tractor kg	D-Value kN	Weight Approx. kg	Pedestal Style
JSK36DV1130	130	20000	152	112	Weld on
JSK36DV1150	150	20000	152	115	Weld on / Bolt on
JSK36DV1170	170	20000	152	118	Weld on / Bolt on
JSK36DV1185	185	20000	152	118	Weld on / Bolt on
JSK36DV1195	195	20000	152	120	Weld on
JSK36DV1205	205	20000	152	122	Weld on
JSK36DV1215	215	20000	152	125	Weld on
JSK36DV1235	235	20000	152	125	Weld on
JSK36DV1255	255	20000	152	127	Weld on

The right to alter specifications is reserved.

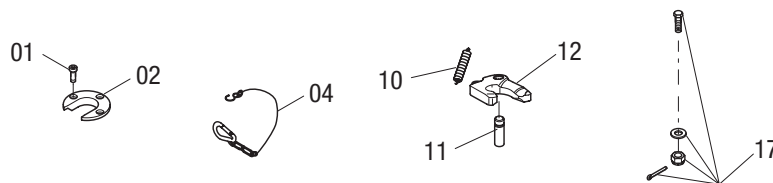
## Spare parts for type JSK36DV1



Item	Designation	Order No.	Quantity per JSK
01	Socket head bolt	SK212107	3
02	Wearing ring	SK210519	1
03	Split pin	SK1974	1
04	Spring hook	SK1436	1
05	Adjusting screw	SK270044	1
		SK290551	1
06	Clamping pin	000.003.027	1
07	Hexagon bolt, compl.	SK352103	1
08	Spring noose, compl.	SK292130	1
09	Latch, compl.	SK312152	1
10	Tension spring	SK847	1
11	Pivot	SK210667	1
12	Lock Jaw	SK1489	1
13	Double tension spring	SK310520	1
14	Locking bar	SK290506	1
15	Lever	SK210725	1
16	Bar bolt, compl.	SK292102	1
17	Head bolt	SK1513	1
18	Handle	SK2905111	1

Item	Designation	Order No.	Quantity per JSK
19a	Bolt on Pedestals 150	SK290442	1
19b	Bolt on Pedestals 170	SK290441E	1
19c	Bolt on Pedestals 185	SK929440	1
20a	Fabricated Pedestals 130	SK2920130	1
20b	Fabricated Pedestals 150	SK2920150	1
20c	Fabricated Pedestals 170	SK2920170	1
20d	Fabricated Pedestals 185	SK2920185	1
20e	Fabricated Pedestals 195	SK2920195	1
20f	Fabricated Pedestals 205	SK2920205	1
20g	Fabricated Pedestals 215	SK2920215	1
20h	Fabricated Pedestals 235	SK2920235	1
20i	Fabricated Pedestals 255	SK2920255	1
21	Rubber bushing, compl.	SK290520E	2
22	Split pin	SK292104	2
23	Pivot pin with 22 + 25	SK292124	2
24	Pivot pin	SK290553	2
24a	Pivot pin with 25	SK290499	2
25	Plug	JS 110112	2
26	Hexagon bolts, compl.	SK2921038	2

## Repair and Retrofit Kits



Item	Designation	Order No.
01, 02, 10, 11, 12	Repair kit for lock	SK322150
01, 02	Repair kit for lock	SK212151
10, 11, 12	Repair kit for lock	SK322152
01, 02, 04, 10, 11, 12, 17	Repair kit for lock	SK312150

Item	Designation	Order No.
01, 02, 10, 11, 12, 17	Repair kit for lock	SK312151
07, 08, 09	Repair kit for lock	SK312152