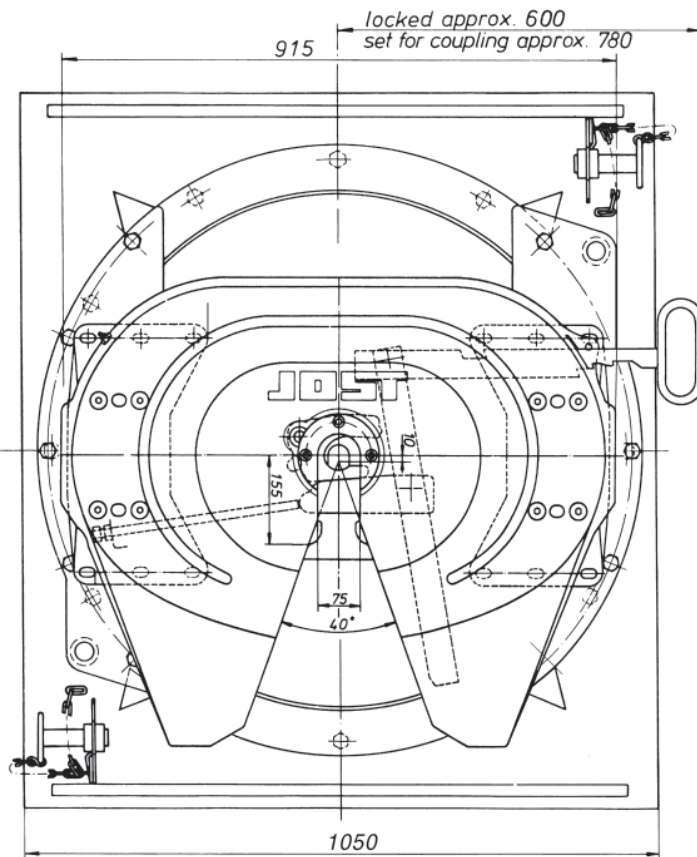
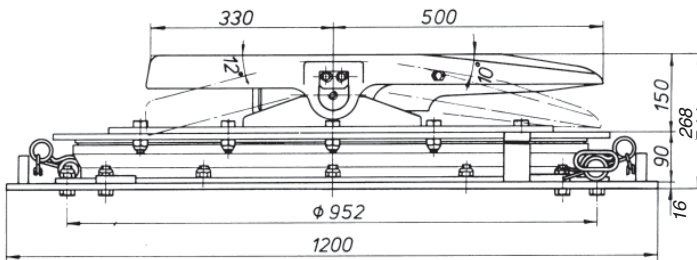


DR37E Cast Top Stabilised Fifth Wheel Assembly 2"



Application: Highway work
Tipper work

also available with:

16mm Base Plate	DR37E 16mm
20mm Base Plate	DR37E 20mm

*Note thicker base plate determines extra weight
**Note only available on weld on feet

D-Value	190 kN
Overall height	268 mm
Imposed load	20000 kgs
Gross comb. weight	135000 kgs
Weight approx. (for 12mm base plate)	394 kgs
Complies with ADR 62, 63	
Approval Number	

JSK37E
- CTA-036821
DR Subassembly
- CTA-060153

Twin lockouts.

Flush bolt heads on mounting plate in chassis mounting zone. Wearing ring easily removed from above on JSK37E fifth wheel.

Spare parts for DR37E Cast Top

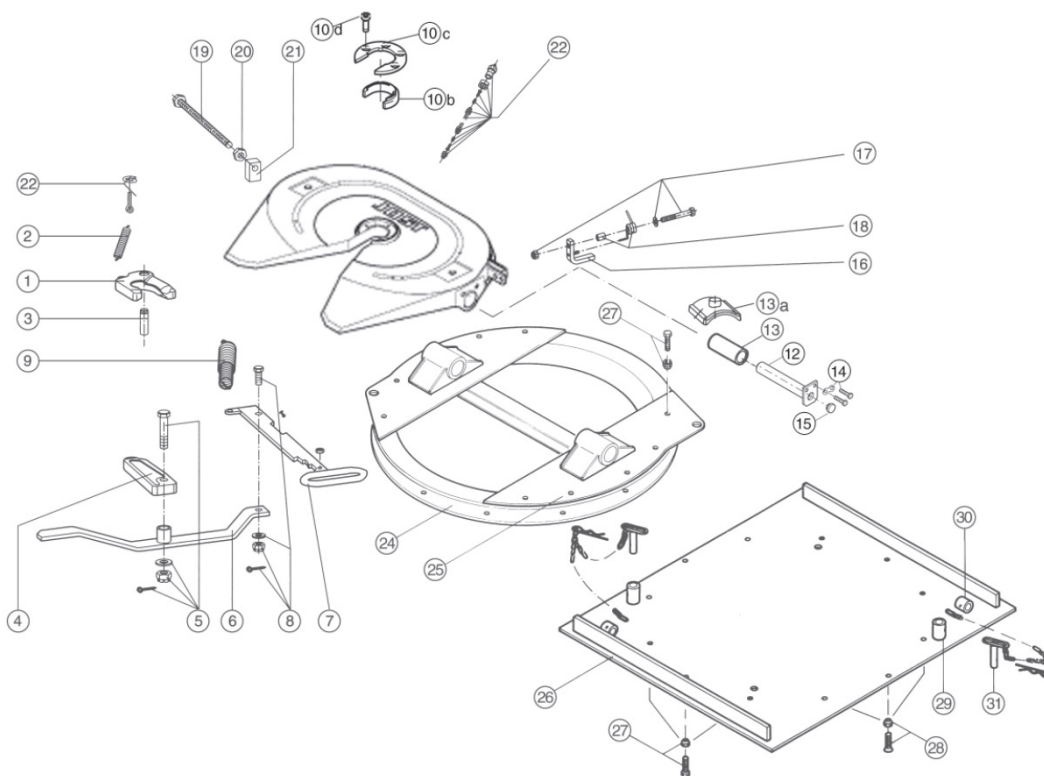


Fig.	Description	Part No. DR 37 E
01	Jaw	SK1489Z
02	Jaw Spring	SK847
03	Jaw Pivot	SK210667
04	Locking Bar	SK320506
05	Lock Bar Bolt	SK322101
06	Release Lever	SK310518
07	Operating Handle	SK310515
08	Head Bolt	SK1513
09	Double Tension Spring	SK310520
10a	Wear Ring Three Bolt	SK210519
10b	Wear Ring Four Bolt	SK310592
10c	Wear Ring Insert	SK310593
10d	Wear Ring Bolt	SK312155
11	Wear Ring Bolt	SK212107
12	Swivel Pin	SK310405
13	Pedestal Bush	SK290520
13a	Collar	SK310595
14	Swivel Pin Bolt	SK312128

Fig.	Description	Part No. DR 37 E
15	Swivel Pin Plug	JS 110112
16	Spring Latch	SK312152
17	Bolt for Spring Latch	SK352103
18	Spring for Latch	SK312159
19	Adjusting Screw	SK310597
20	Hex Nut	SK212178
21	Guide Piece	SK320507
22	Eye Bolt Complete	SK212204
23	Grease Line Complete	SK310802
24	Ball bearing	KLKDR41AS010K
25	Half moon cw 130mm Ped.	SK370511
26a	Base plate (12mm) incl. 56, 57, 58	SK370630
26b	Base plate (16mm) incl. 56, 57, 58	SK370631
26c	Base plate (20mm) incl. 56, 57, 58	SK370632
27	Hex. bolt compl.	SK372104
28	Countersunk bolt compl.	SK372105
29	Tube lock out (old style)	SK370510
29a	Tube lock out (new style)	SK370515
30	Tube park	SK370604
31	Lock out pin compl. with chain	SK370509
31a	Lock out pin compl. with R clip (new style)	SK370514

Repair Kits

Fig.	Repair Kits	Part No.
01, 02, 03	Repair kit for locking device	SK322152Z
12, 13, 13a, 14, 15	Repair kit for locking device	SK3121061
01, 02, 03, 08, 11, 23, 28	Repair kit for locking device	SK3121060Z
10b, 10c, 10d	Repair kit for wear ring	SK310594
16, 17, 18	Repair kit Latch	SK312152 KIT