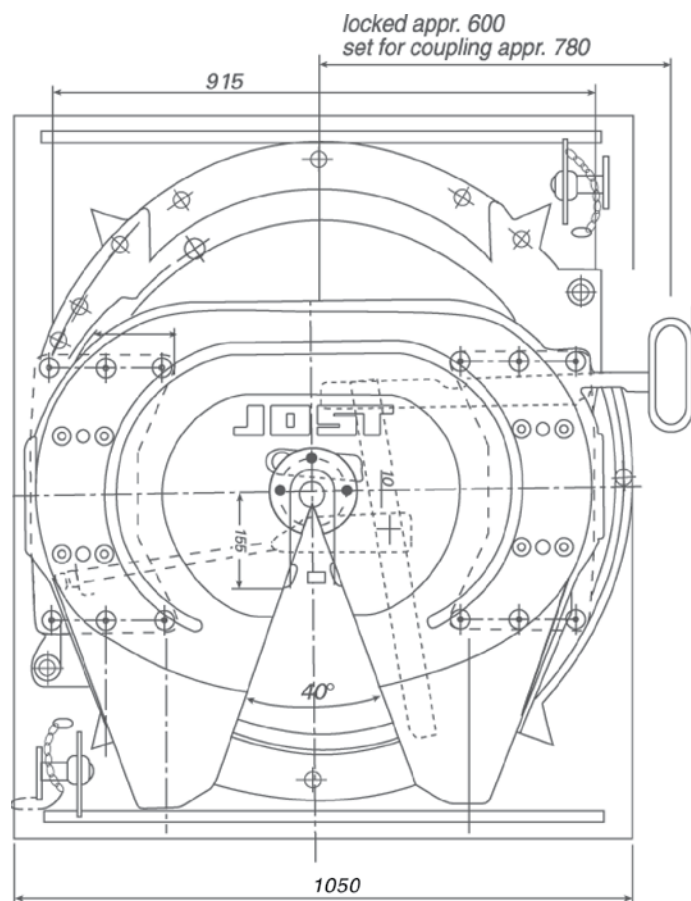
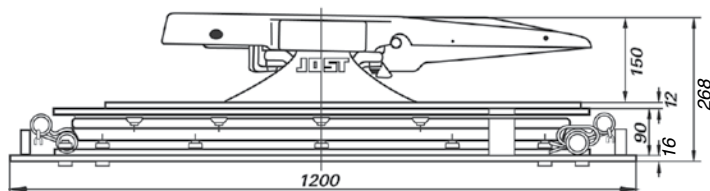


# DR37CZ CAST TOP Double Row Stabilised Fifth Wheel Assembly



**Application: General Freight Tankers**

also available with:

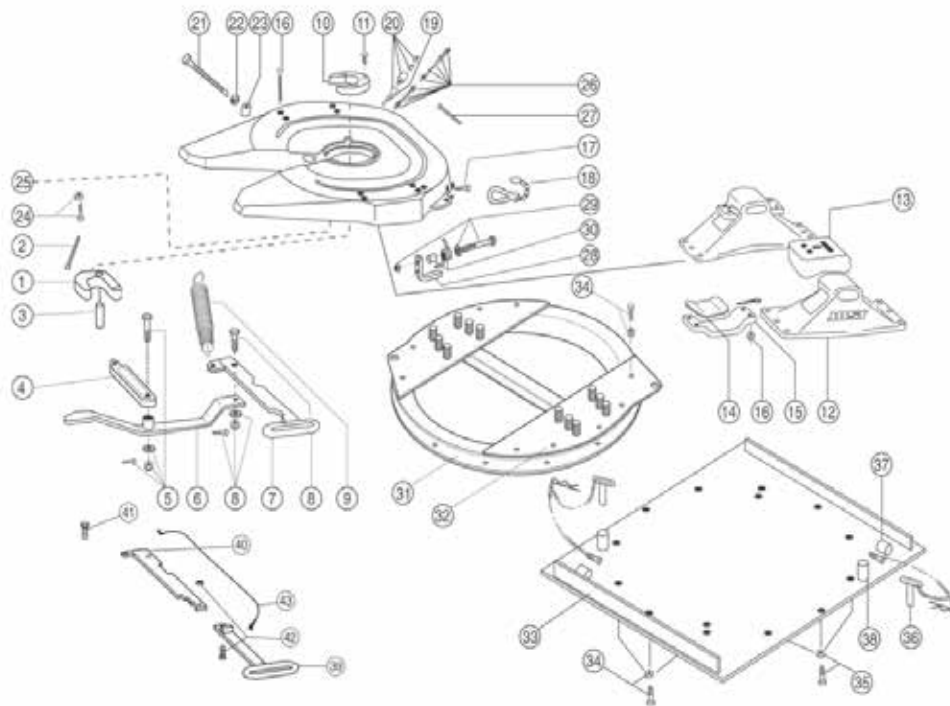
|  |             |
|--|-------------|
| 16mm Base Plate  | DR37CZ 16mm |
| 20mm Base Plate  | DR37CZ 20mm |
| *Note thicker base plate determines extra weight and height. |             |
| CRN  | 24842       |
| Overall height   | 268 mm      |
| Imposed load   | 20000 kgs   |
| Gross comb. weight   | 135000 kgs  |
| Weight approx. (12mm Base)                                   | 405 kgs     |
| D-Valve  | 190 kN      |

**Twin lockouts.**

Flush bolt heads on mounting plate in chassis mounting zone. Cast type unit equipped with external king pin grease point for additional lubrication to the jaw.

Wearing ring easily removed from above on JSK37CZ fifth wheel.

## Spare parts for DR37CZ Cast Top



| Fig. | Description                | Part No.<br>DR 37 CZ |
|------|----------------------------|----------------------|
| 01   | Lock jaw                   | SK1489Z              |
| 02   | Lock jaw spring            | SK847                |
| 03   | Pivot for lock jaw, compl. | SK210667             |
| 04   | Locking bar                | SK320506             |
| 05   | Locking bar bolt, compl.   | SK322101             |
| 06   | Lever                      | SK310518             |
| 07   | Operating handle           | SK310515             |
| 08   | Head bolt                  | SK1513               |
| 09   | Double tension spring      | SK310520             |
| 10   | Wearing ring               | SK210519             |
| 11   | Socket head bolt           | SK212107             |
| 12   | Pedestal (185mm)           | SK210401X            |
|      | Pedestal (170mm)           | SK210421X            |
|      | Pedestal (150mm)           | SK210402X            |
| 13   | Upper rubber cushion       | SK1259               |
| 14   | Lower rubber cushion       | SK210525             |
| 15   | Mounting bracket           | SK1372               |
| 16   | Socket head bolt, compl.   | SK212115             |
| 17   | Split pin                  | SK1974               |
| 18   | Spring hook                | SK1436               |
| 19   | Lubrication fitting        | SK1989               |
| 20   | Grease nipple compl        | SK1976               |
| 21   | Adjusting Screw            | SK310505             |
| 22   | Hexagon nut                | SK212178             |

| Fig. | Description                                 | Part No.<br>DR 37 CZ |
|------|---|----------------------|
| 23   | Guide piece                                 | SK320507             |
| 24   | Eye bolt compl.                             | SK212204             |
| 25   | Grease nipple                               | SK312111             |
| 26   | Tubing compl.                               | SK3353008            |
| 27   | Tubing clamp                                | SK312113             |
| 28   | Spring Latch 1996 onwards                   | SK312152             |
| 29   | Bolt for Spring Latch                       | SK3521/03            |
| 30   | Spring for Latch                            | SK3121/59            |
| 31   | Ball bearing                                | KLKDR41AS010K        |
| 32   | Half moon compl.                            | SK370640             |
| 33a  | Base plate (12mm) incl. 36, 37, 38          | SK370630             |
| 33b  | Base plate (16mm) incl. 36, 37, 38          | SK370631             |
| 33c  | Base plate (20mm) incl. 36, 37, 38          | SK370632             |
| 34   | Hex. bolt compl.                            | SK372104             |
| 35   | Countersunk bolt compl.                     | SK372105             |
| 36   | Lock out pin compl. with chain (old style)  | SK370509             |
| 36a  | Lock out pin compl. with R clip (new style) | SK370514             |
| 37   | Tube park (old style)                       | SK370604             |
| 38   | Tube lock out (old style)                   | SK370510             |
| 38a  | Lockout tube (new style)                    | SK370515             |
| 39   | Handle Extension                            | SK3105113            |
| 40   | Internal Operating Handle                   | SK3105115            |
| 41   | Head Bolt                                   | SK1513               |
| 42   | Extended Handle Bolt                        | SK242150             |
| 43   | Cable Extension                             | SK352102             |

## Repair Kits

| Fig.                       | Repair Kits                   | Part No.     |
|----------------------------|-------------------------------|--------------|
| 01, 02, 03, 10, 11         | Repair kit for locking device | SK322150Z    |
| 01, 02, 03                 | Repair kit for locking device | SK322152Z    |
| 01, 02, 03, 08, 10, 11, 18 | Repair kit for locking device | SK312150Z    |
| 13, 14, 16                 | Repair kit for rubber bearing | SK212169Z    |
| 28, 29, 30                 | Latch Kit                     | SK312152 KIT |