



PART # BPC PH 20 WMK

20-Ton Forged Heavy-Duty Pintle Hook

Capacity:

8,000 lbs (3,629 kg) maximum vertical load

40,000 lbs (18,144 kg) M.G.T.W.

Description:

Drop forged alloy steel rigid type pintle hook.

Finished with black powder coat for superior durability and corrosion resistance.

Drawbar Eye Dimensions:

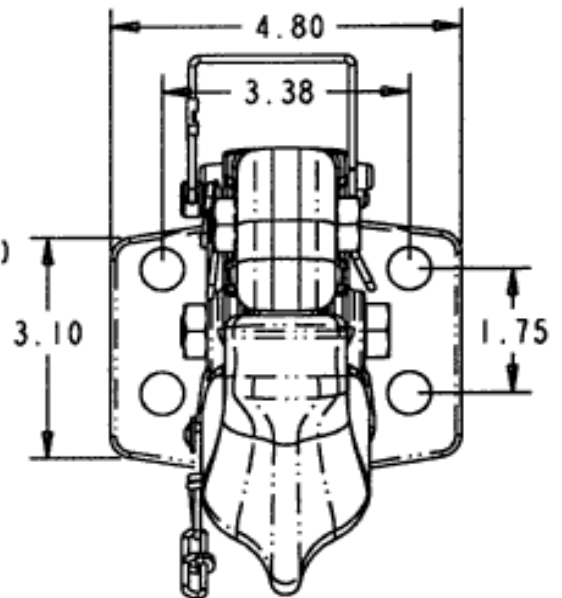
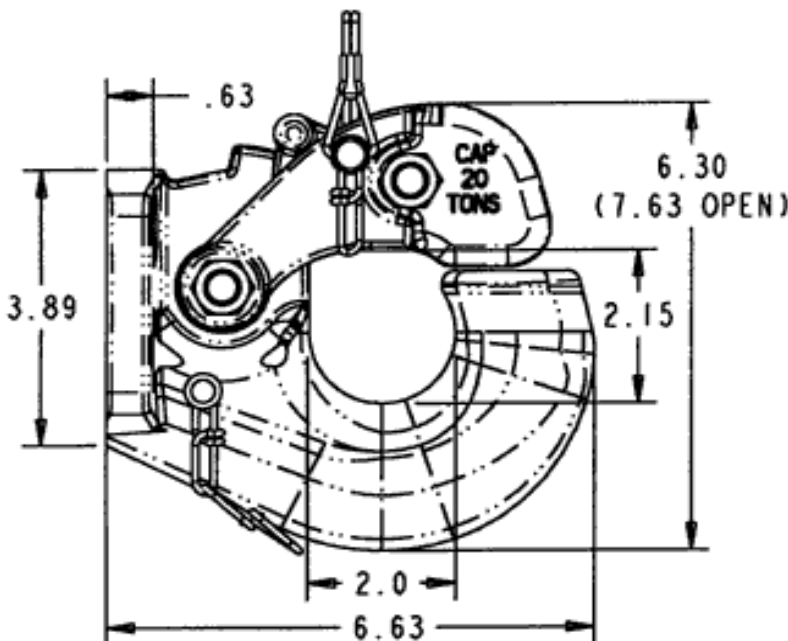
2" to 3" I.D. with 1-1/4" to 1-5/8" diameter section.

Pintle hooks are individually boxed and include mounting instructions, specifications sheet, adhesive backed drilling template, and vehicle capacity decal.

Weight:

13.3 lbs (6.03 kg)

CRN # 37268 D-VALUE 92kn



All dimensions shown are nominal