



PART # BPC PH 15 WMK

15-Ton Forged Heavy-Duty Pintle Hook

Capacity:

6,000 lbs (2,722 kg) maximum vertical load
30,000 lbs (13,608 kg) M.G.T.W.

Description:

Drop forged alloy steel rigid type pintle hook.
Finished with black powder coat for superior durability and corrosion resistance.

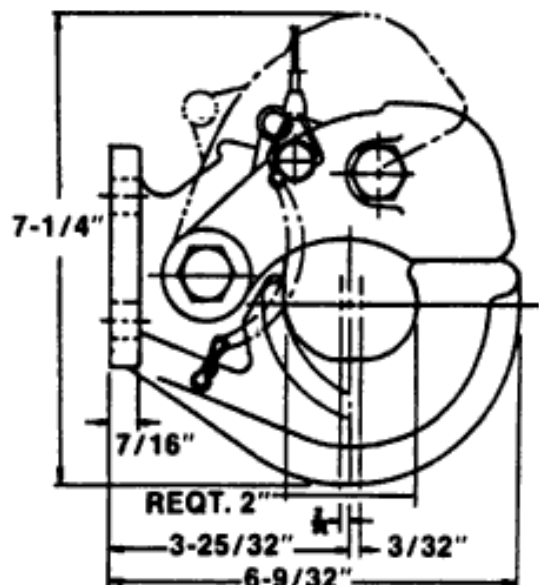
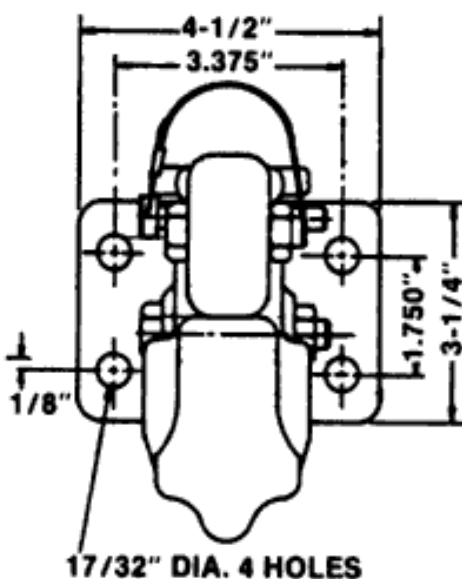
Drawbar Eye Dimensions:

2" to 3" I.D. with 1-1/4" to 1-5/8" diameter section.
Pintle hooks are individually boxed and include mounting information sheet, spec. sheet, adhesive backed drilling template, and vehicle capacity decal.

Weight :

11.75 lbs (5.33 kg)

CRN # 37267 D-VALUE 75kn



All dimensions shown are nominal

JOST AUSTRALIA
Toll Free: 1800 811 487
www.jostaustralia.com.au