



**PART # BPC P45 AC6K**

(includes booster and bracket)

**45-Ton Air Compensated Pintle Hook**

Buyers Pintle Hooks feature a “double-safe” locking system with a lock/clasp/impact arm interacting design that combine to prevent release of the eye when air pressure is applied. The Air Compensated Pintle Hooks must be used with a brake chamber.

**The air brake chamber is constructed to interact with the closed clasp to prevent uncoupling when air is applied.**

P45AC6 is to be used with a lunette eye having an internal diameter between 2-3/8" and 3", and a material cross section between 1-5/8" and 1-3/4" in diameter.

**Capacity:**

18,000 lbs (8,165 kg) maximum vertical load

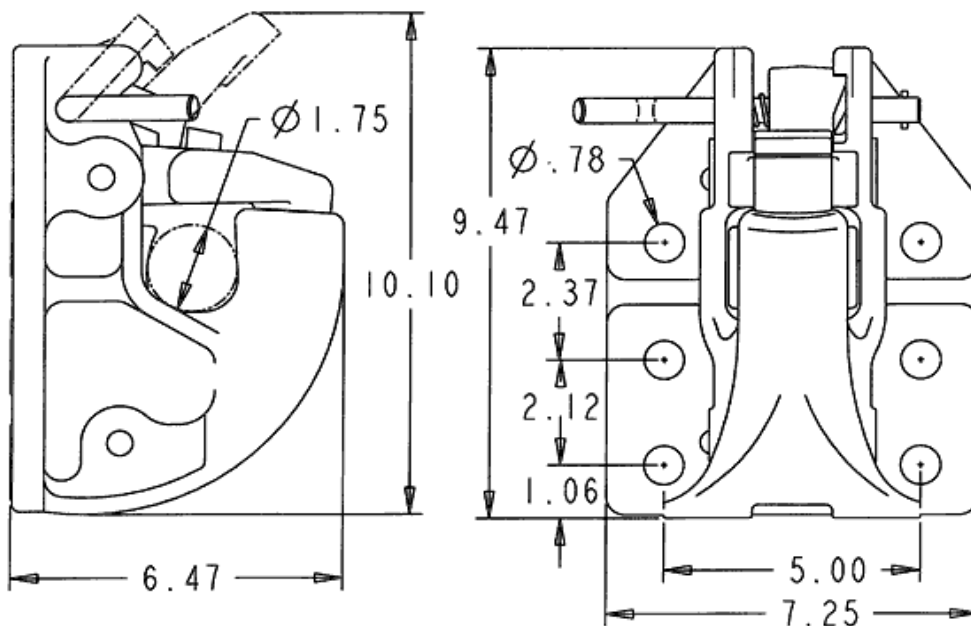
90,000 lbs (40,824 kg) M.G.T.W.

**Weight:** Total, including booster

42.0 lbs (19.05 kg)

**CRN # 37266**

**D-VALUE 165kn**



*All dimensions shown are nominal*