

# JOST

PART # **BPC BH 850MM**

**8- Ton Forged Alloy Steel  
Combination Hitch**

**ADR Approved**

**CRN # 37265**

**D-VALUE 30kn**



**Capacity:**

16,000 lbs (7257 kg) M.G.T.W.

1361 kg (3,000 lbs) maximum vertical load

**Description:**

Drop forged combination pintle hook/ball hitch.

Forged steel ball replaceable hitch ball.

Finished with black powder coat for durability and corrosion resistance.

Hitches are shipped with drilling template,

Id tag (CRN and D-Value), and are individually boxed.

**Drawbar Eye Dimensions:**

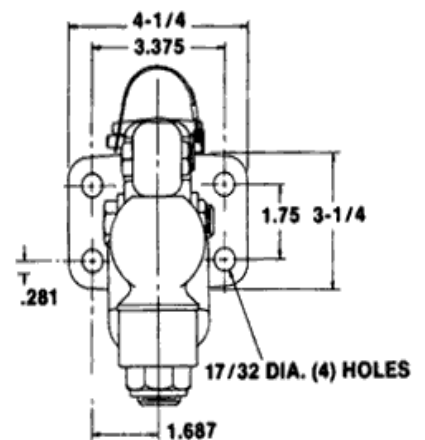
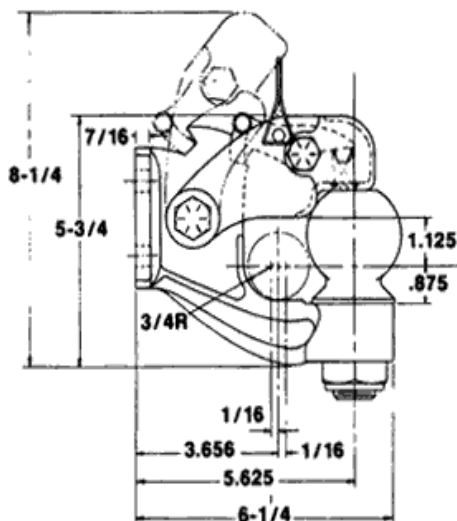
63.5 mm (2-1/2") to

76 mm (3") up to

40 mm (1 -9/16) cross section.

**Weight :**

5.9 kg (13 lbs)



*All dimensions shown are nominal  
All above measurements are in inches. 1 inch = 25.4 millimetres*

**JOST AUSTRALIA**  
Toll Free: 1800 811 487  
[www.jostaustralia.com.au](http://www.jostaustralia.com.au)