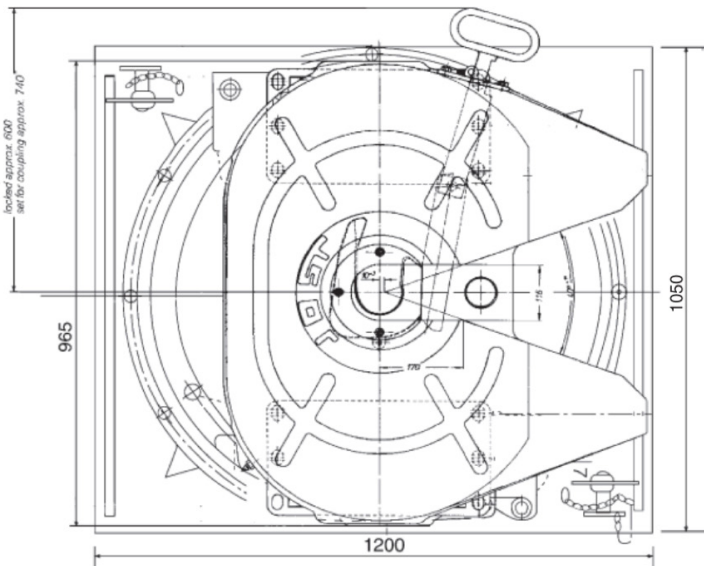
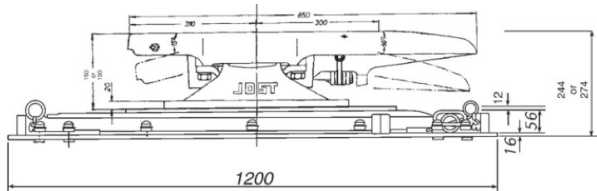


LP39CS & 39CSW Low Profile Stabilised Fifth Wheel Assembly

Suitable for 3½" king pins. Greaseless option available



Heavy duty Applications: Stock crate
Fridge van
General freight
Tankers

Standard with 16 mm base plate
optional: 20 mm base plate
LP39C 20mm

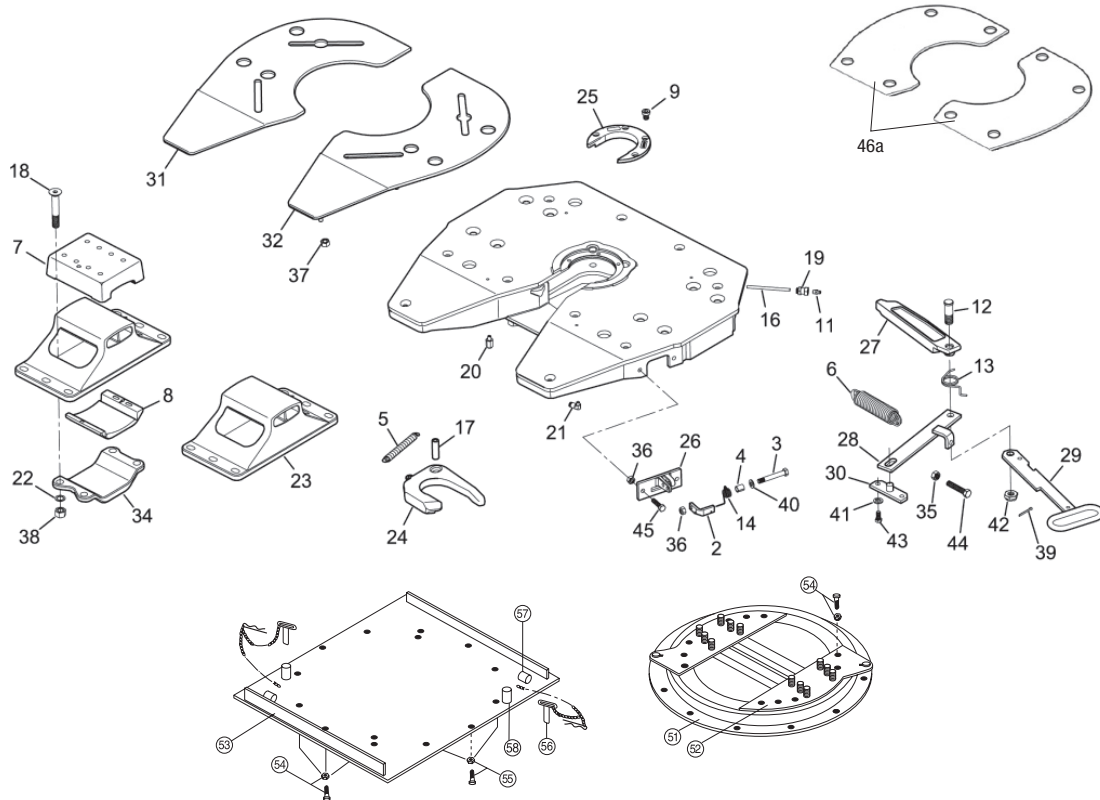
*Note thicker base plate determines extra weight and height.

D-Value	
JSK39CS, CSW	240 kN
Imposed load	24000 kgs
Weight approx.	425 kgs
(for 16mm base plate)	
Approval Number	JSK39CS / CSW CTA-045375 LP Subassembly CTA-047151

Twin lockouts.

Flush bolt heads on mounting plate in chassis mounting zone. Cast type unit equipped with JSK39 CS fifth wheel extra heavy duty unit. Mounting must be carried out in accordance with our instructions.

Spare parts for LP39CS & LP39CS



Items	Description	Note	Code	Items	Description	Note	Code
02	Latch		SK312152	29	Handle		QR00190J01
03	Latch Bolt	M10 × 1.5 × 70	SK352103	30	Bearing		SK240515
04	Spring and spacer		SK312159	31	Wear plate	Left	QR00195J01
05	Jaw spring		SK210638	32	Wear plate	right	QR00197J01
06	Spring double		SK240523	34	Bridge		SK2005
07	Upper rubber cushion		SK2006	37	Hex Nut	M12	ST03006B80
08	Lower rubber cushion		SK2007	38	Hex Nut	M20	ST03007B81
09	Socket head bolt	M12 × 15	SK242108	42	Castellated nut	M20	ST12002J80
11	Fitting		AD00896J80	43	Hex Bolt, complete	M12 × 25	SK242153
12	PINO Bar		AD01096J80	44	Hex Bolt, complete	M14 × 70	SK242152
13	Spring noose		AD01097J00	45	Hex Bolt, complete	M10 × 40	SK242150
16	Tube nylon 6mm		AD01105J00	46	Replacement insert kit		QR00248J00
17	Pivot		AD01126J80	46a	Replacement greaseless insert kit		SK3106039CS
18	Screw	M20 × 2 × 125	AD01141B81	51	Ball bearing		KDL9006W
19	Input Connector		AD01154J00	52	Half moon compl.		SK370629
22	Safety washer		AD01196J00	53	Base plate (16mm) incl. 34, 36		SK370616
23	Pedestal 190mm		SK240401	53a	Base plate (20mm) incl. 34, 36		SK370620
23b	Pedestal 160mm		SK240405	54	Hex. bolt compl.		SK372104
23c	Pedestal 250mm		SK240404	55	Countersunk bolt compl.		SK372105
24	Jaw 3½"		SK240514Z	56	Lock out pin, old style		SK370610
24	Jaw 3½" (greaseable)		SK240514	56a	Lock out pin, new style		SK370609
25	Wear Ring		QR00166J01	57	Tube park		SK370604
26	Latch holder		SK2405084	58	Tube lock out, old style		SK370605
27	Lock Bar		QR00187J01	58a	Tube lock out, new style		SK370504
28	Lever		QR00188J01				

Repair Kits

Items	Repair Kits	Code
05, 06, 09, 17, 24, 25	Repair kit for lock 3.5"	QR00245J00
07, 08, 18, 22, 38	Repair kit for bearing	SK242180
02, 03, 04	Repair kit for spring latch	SK312152 KIT
09, 25	Wearing Ring, compl. with 09	QR00244J00