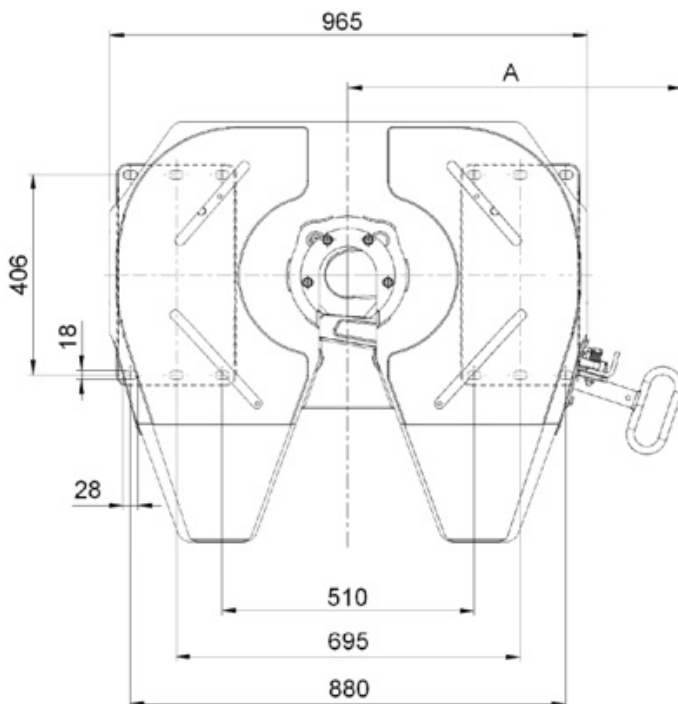
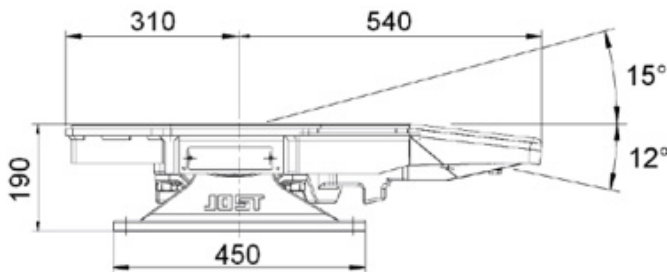


# JSK39CS & JSK39CSW – Rubber Mounting Fifth Wheel coupling with wear steel top plate

Suitable for 3½" king pins. Greaseless option available



## Heavy duty Applications:

**Mining  
Stock crate  
Fridge van  
Forestry  
Off road**

Suitable for 3½" king pins

D-Value	275 kN
Overall height	190 mm
	160 mm
	250 mm
Imposed load	26000 kgs
Weight approx.	232 kgs
Approval Number	CTA-045375

In accordance with the standards:  
ISO3842, DIN 74081

## Features

A heavy duty fifth wheel coupling for operation under arduous conditions.

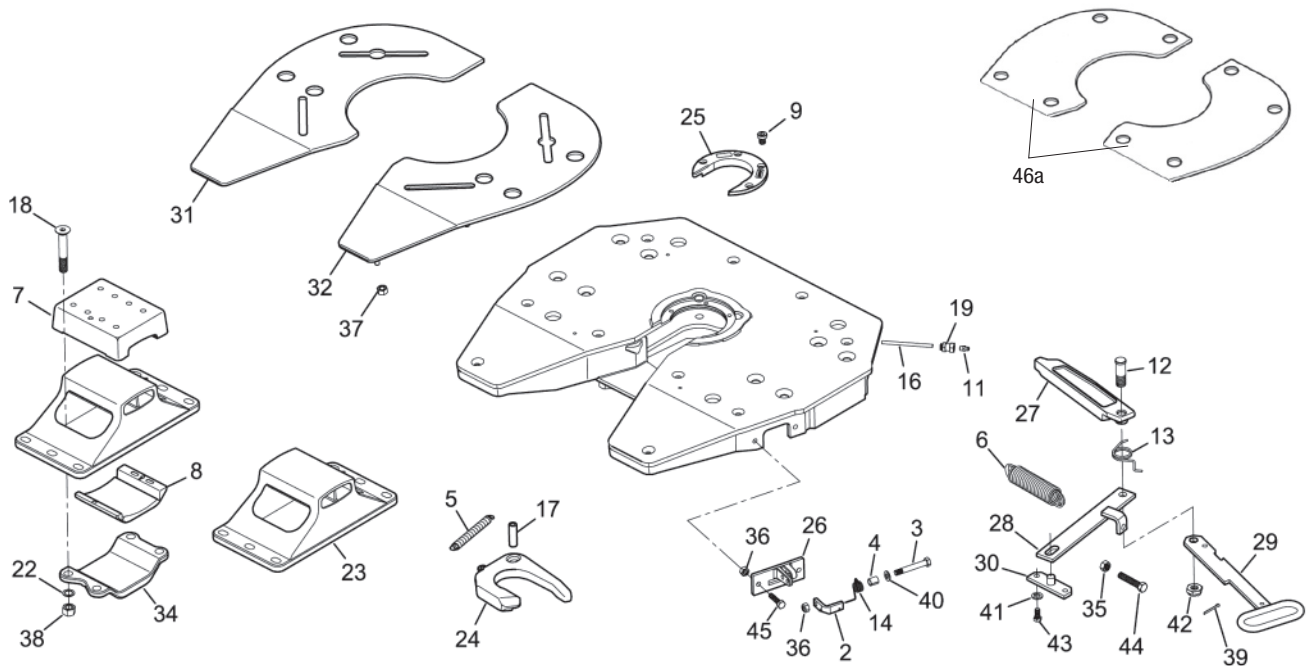
Removable wear plates, bolted to the top plate, allowing an easier and cheaper maintenance. Also available in greaseless. Manual adjustment for the locking mechanism to extend the life cycle.

Rubber cushions pad mount. High reliability in the locking mechanism.

Mounting must be carried out in accordance with our instructions.

The right to alter specifications is reserved.

## Spare parts for JSK39CS &amp; JSK39CSW



Items	Description	Note	Code
02	Latch		SK312152
03	Latch Bolt	M10 × 1.5 × 70	SK352103
04	Spring and spacer		SK312159
05	Jaw spring		SK210638
06	Spring double		SK240523
07	Upper rubber cushion		SK2006
08	Lower rubber cushion		SK2007
09	Socket head bolt	M12 × 15	SK242108
11	Fitting		AD00896J80
12	PINO Bar		AD01096J80
13	Spring noose		AD01097J00
16	Tube nylon 6mm		AD01105J00
17	Bolt		AD01126J80
18	Screw	M20 × 2 × 125	AD01141B81
19	Input Connector		AD01154J00
22	Safety washer		AD01196J00
23	Pedestal 190mm		SK240401
23b	Pedestal 160mm		SK240405

Items	Description	Note	Code
23c	Pedestal 250mm		SK240404
24	Jaw 3 ½"		SK240514Z
25	Wear Ring		QR00166J01
26	Latch holder		SK2405084
27	Lock Bar		QR00187J01
28	Lever		QR00188J01
29	Handle		QR00190J01
30	Bearing		SK240515
31	Wear plate	Left	QR00195J01
32	Wear plate	right	QR00197J01
34	Bridge		SK2005
37	Hex Nut	M12	ST03006B80
38	Hex Nut	M20	ST03007B81
42	Castellated nut	M20	ST12002J80
43	Hex Bolt, complete	M12 × 25	SK242153
44	Hex Bolt, complete	M14 × 70	SK242152
45	Hex Bolt, complete	M10 × 40	SK242150
46	Replacement insert kit		QR00248J00
46a	Replacement greaseless insert kit		SK3106039CS

## Repair Kits

Items	Repair Kits	Code
09, 05, 06, 17, 24, 25	Repair kit for lock 3.5"	QR00245J00
07, 08, 18, 22, 38	Repair kit for bearing	SK242180
02, 03, 04	Repair kit for spring latch	SK312152 KIT
25, 09	Wear Ring, compl. with 09	QR00244J00