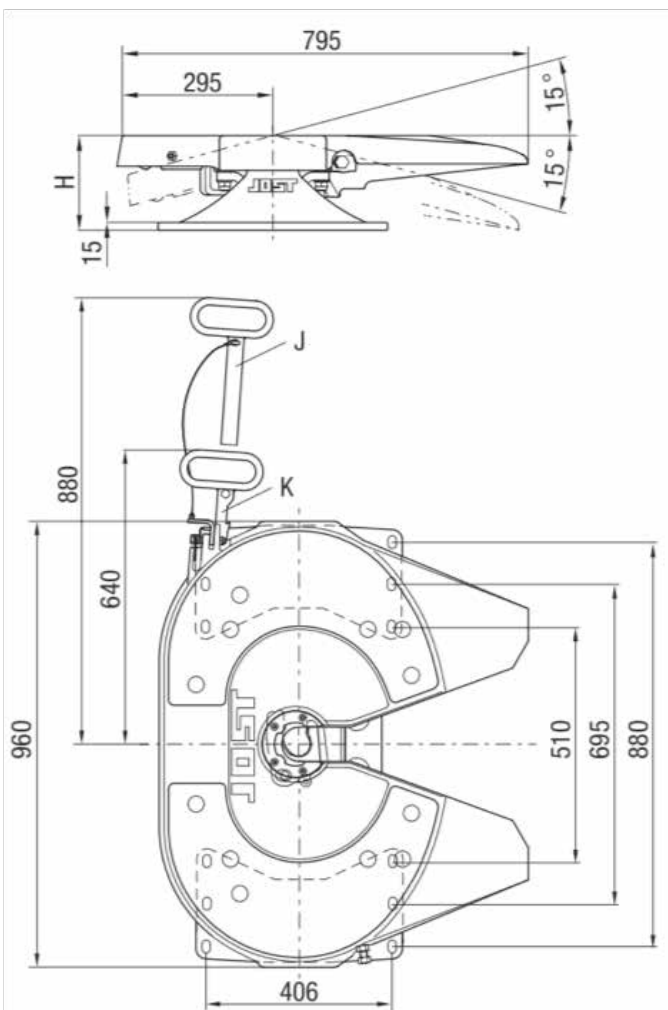


JSK37 Sensor Coupling



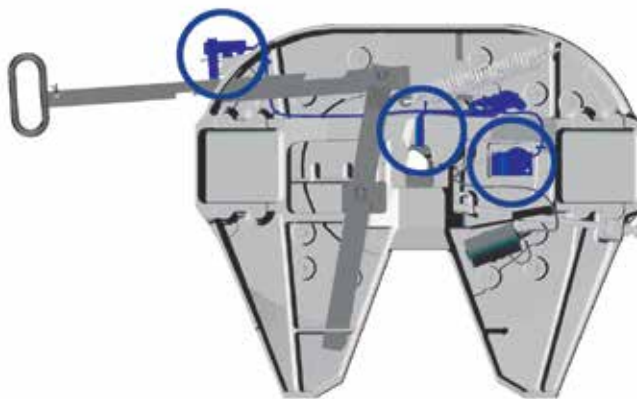
Features

- Safety solution with remote dash display
- Road-Train rated – 190kN
- JSK37C 3 point sensor with dash display
- Connections sensor, king pin sensor and coupling height sensor.
- Integrated dash display available (truck specific)
- Extended handle for easy operation
- Optional lubetronic technology.
- Greaseable and greaseless options available



Sensor Coupling

- A** = sensor for connection status
- B** = sensor for king pin
- C** = sensor for coupling height



**Cast coupling
JSK37**

Advantages at a glance

- Sensors provide best possible safety during the coupling process
- Increased safety even in poor visibility
- A remote display processes the signal and displays it in the driver's cab

Technical Features

- A sensor permanently monitors the connection status
- A second sensor controls the position of the king pin
- An additional third sensor monitors the contact locking position and displays it in the driver's cab.
- The sensors are located in protected zones on non-moving parts
- Electromagnetical compatibility according to highest standards
- Also suitable for use in the transport of dangerous goods (ADR)

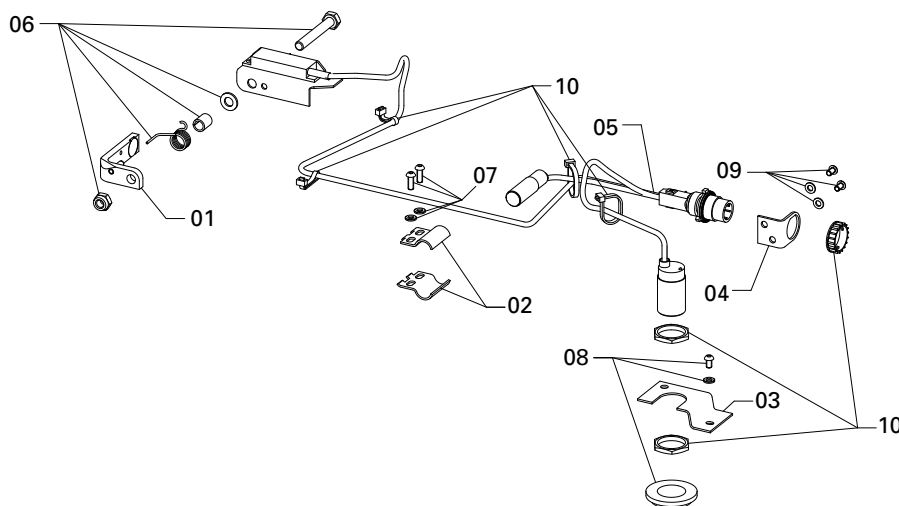


Fig.	Description	Remark	Part No.	Quantity
01	Latch plate with locking magnet	with 06	SKE2905104	1
02	Latch plate with locking magnet	with 07	SK2905130	1
03	Retaining plate for trailer sensor	with 08	SKE003220100	1
04	Retaining plate for trailer sensor	with 09	SKE 004650000	1
05	3-sensor cable harness with retaining plate for locking sensor - JSK37	with 06, 07, 08, 09, 10	SKE002040500	1
	Sensor display with 3 sensors - 24V	oZ	SKE501620200	1
	Sensor display with 3 sensors - 12V	oZ	SKE501620500	1
	Extension cable, standard quality	oZ	SKE002110100	1
	Extension cable, ADR quality	oZ	SKE002110200	1

Refer to JSK37CZ and JSK37CZW for parts breakdown.