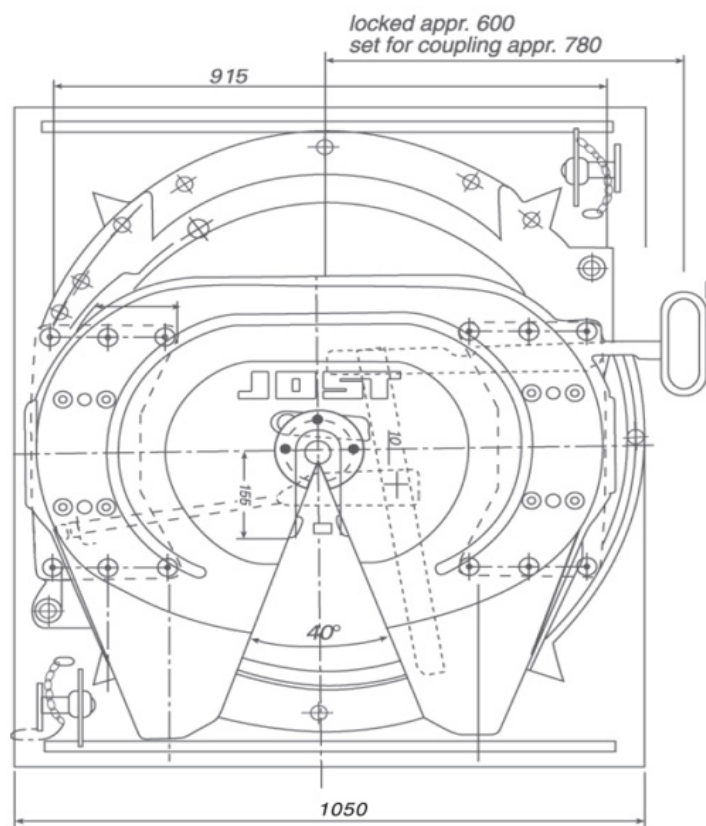
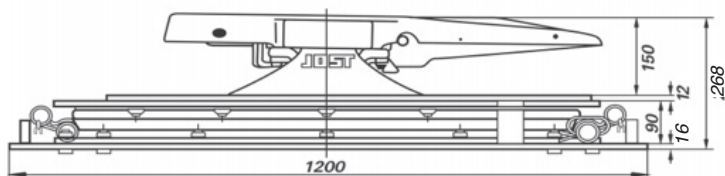


DR37CX Cast Top Double Row Stabilised Fifth Wheel Assembly



Application: General freight
Tankers
Fridge van
Stock crate

also available with:

16mm Base Plate	DR37CX 16mm
20mm Base Plate	DR37CX 20mm

*Note thicker base plate determines extra weight

Overall height	268 mm
Imposed load	24000 kgs
Weight approx. (for 12mm base plate)	405 kgs
D-Valve	240kN
Approval Number	JSK37CX - CTA-045374 DR Subassembly - CTA 060153

Twin lockouts.

Flush bolt heads on mounting plate in chassis mounting zone. Cast type unit equipped with external king pin grease point for additional lubrication to the jaw.

Wearing ring easily removed from above on JSK37CX fifth wheel.

Spare parts for DR37CX Cast Top

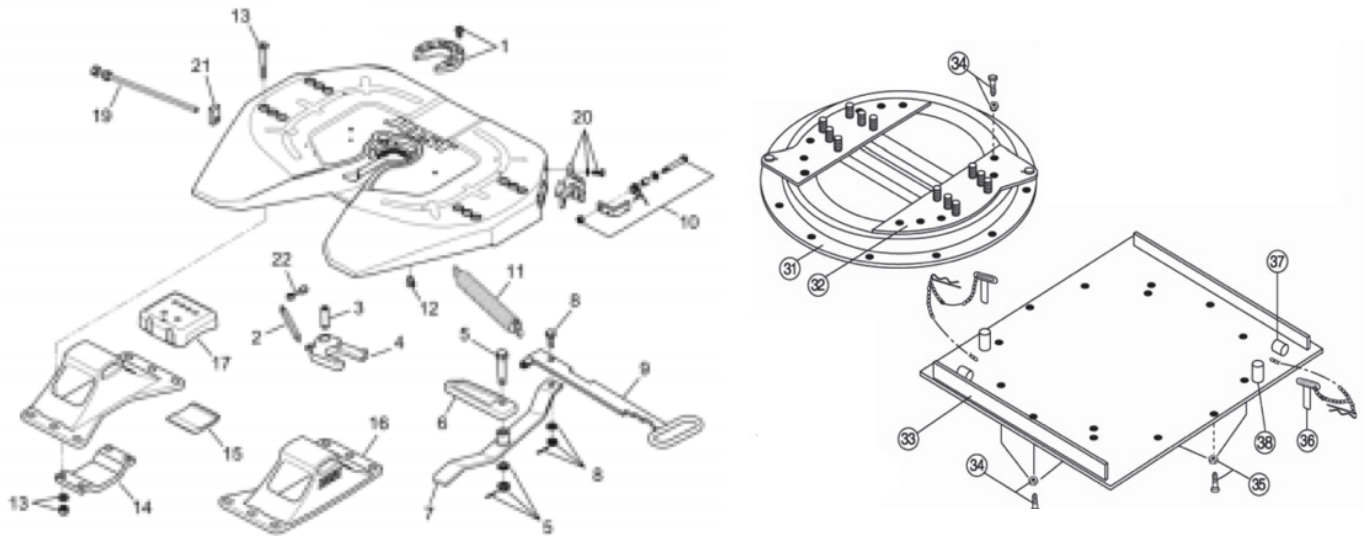


Fig.	Description	Code
01	Wearing ring and bolts	QR00269J00
02	Lock jaw spring	SK847
03	Pivot	SK210667
04	Locking	SK1489Z
05	Bolt (complete)	SK322101
06	Locking bolt	SK320506
07	Lever with bushing	SK310518
08	Head bolt	SK1513
09	Lever handle	SK3105/15
10	Latch kit	SK312152KIT
11	Double tension spring	SK3105/20
12	Fitting	SK312111
13	Complete countersunk bolt	SK212115
14	Mounting bracket	QR00215J01
15	Lower rubber cushion	SK21025
16	Pedestal (150mm)	SK210402X
16a	Pedestal (170mm)	SK210421X
16b	Pedestal (185mm)	SK210401X
16c	Pedestal (220mm)	SK210418X
16d	Pedestal (250mm)	SK210414X
16e	Pedestal (300mm)	SK210420

Fig.	Description	Code
17	Upper Rubber Cushion	SK1259
19	Adjustment screw	AD01148B80
20	Guide latch complete security	QR00270J00
21	Guide with thread	SK320507
22	Pin with eyelet	SK212204
31	Ball bearing	KLKDR41AS010K
32	Half mon complete	SK370640
33a	Base plate (12mm) inc 36, 37, 38	SK370630
33b	Base plate (16mm) inc 36, 37, 38	SK370631
33c	Base plate (20mm) inc 36, 37, 38	SK370632
34	Hex bolt complete	SK372104
35	Countersunk bolt complete	SK372105
36	Lock out pin compl with chain (old style)	SK370509
36a	Lock out pin compl with R clip (new style)	SK370514
37	Tube park (old style)	SK370604
38	Tube lock out (old style)	SK370510
38a	Tube lock out (new style)	SK370515

Repair Kits

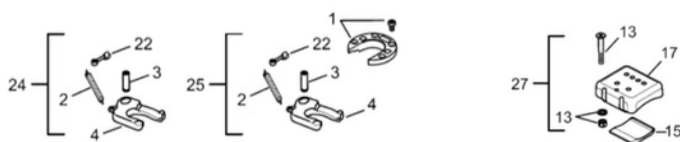


Fig.	Repair Kits	Part No.
24	Locking latch kit - items 2, 3, 4 e 22	SK322152Z
25	Kit locking claw - items 1, 2, 3, 4 e 22	SK322150CX
27	Base plate fastening kit - items 13, 15 e 17 (with 4 screws)	SK212169CX