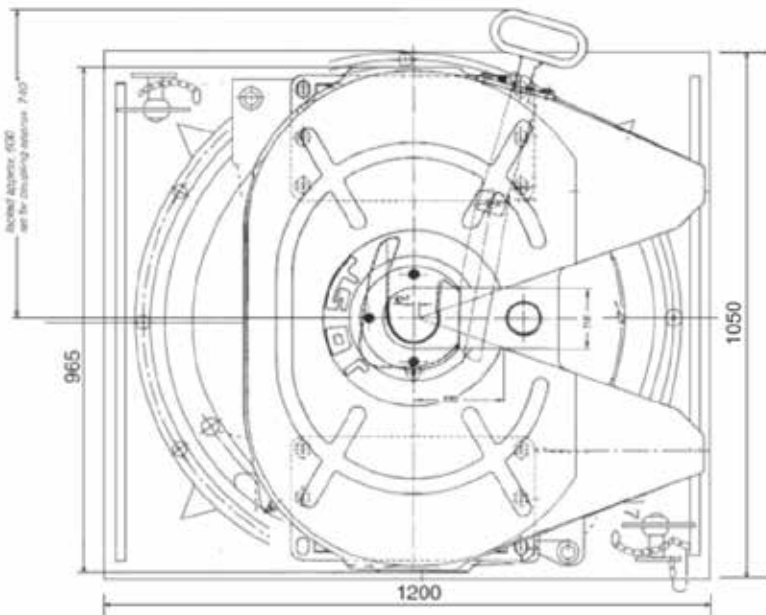
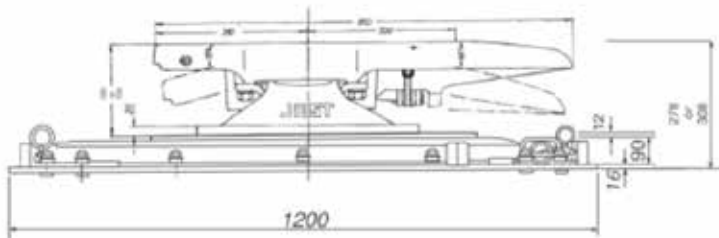


DR38C116016, DR38C119016 Cast Top DR38C216016, DR38C219016 Cast Top Double Row stabilised fifth wheel assembly

with mounting pattern according to DIN standard 74081 and 74084



Heavy duty Applications: Stock crate
Fridge van
General freight
Tankers

Standard with 16 mm base plate
optional: 20 mm base plate
DR38C 20mm

*Note thicker base plate determines extra weight and height.

D-Value	
JSK38C1W	260 kN
JSK38C2W	216 kN
Overall height	
(with 190 mm Feet)	308 mm
(with 160 mm Feet)	278 mm
Imposed load	20000 kgs
Weight approx.	472 kgs
(for 16mm base plate)	
CRN	38C1-24843
CRN	38C2-41443

Twin lockouts.

Flush bolt heads on mounting plate in chassis mounting zone. Cast type unit equipped with JSK38 fifth wheel extra heavy duty unit. Jaws sizes can be changed from 50 mm or 90 mm diameter. Mounting must be carried out in accordance with our instructions.

Mounting must be carried out in accordance with our instructions.

The right to alter specifications is reserved.

Spare parts for DR38C1, DR38C2, DR38C1160, DR38C2160

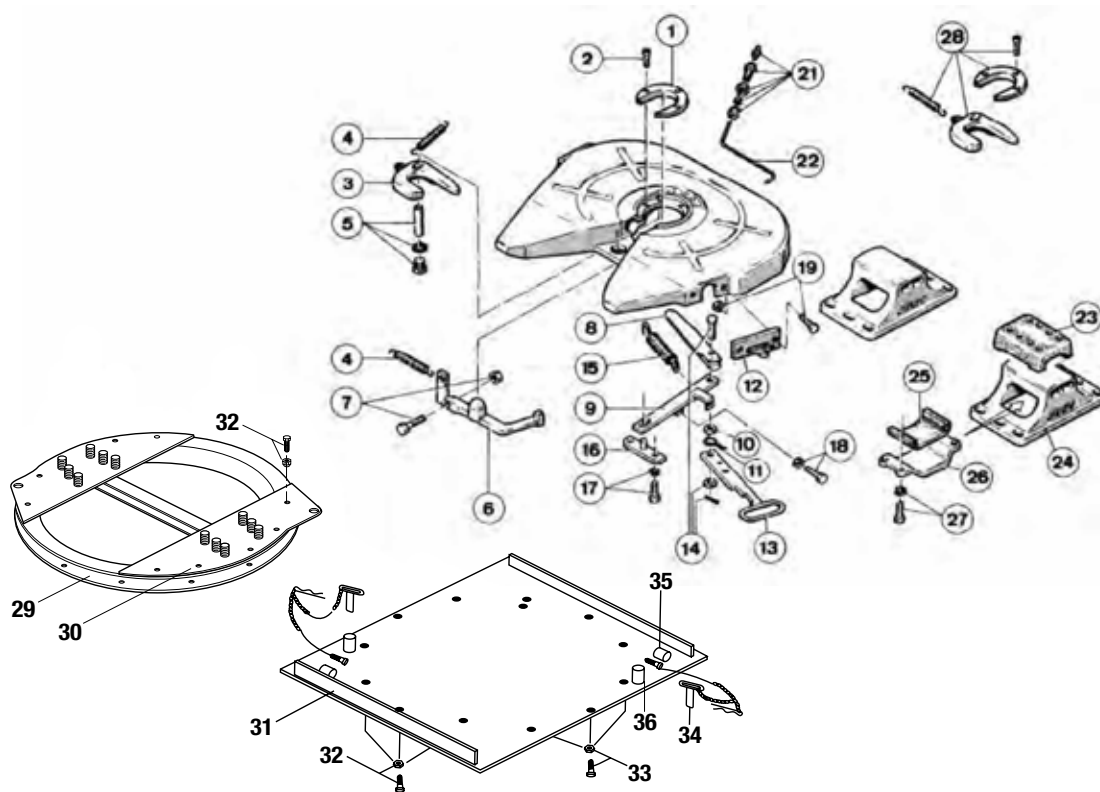


Fig.	Description	Part No.
01	Wearing ring 3½" compl. with item 2	SK242156
01	Wearing ring 2" compl. with item 2	SK242157
02	Socket head bolt	SK242108
03	Lock jaw 3½"	SK240514
03	Lock jaw 2"	SK240513
04	Lock jaw spring	SK210601
05	Bolt complete	SK242154
06	Stopper	SK240527
07	Hexagon head bolt	SK242151
08	Locking bar	SK240501
09	Lever	SK240504
10	Disc	SK240519
11	Spring loop	SK240509
12	Support bracket	SK2405084
13	Operating handle	SK240502
14	Locking bar bolt	SK212114
15	Double tension spring	SK240523
16	Support	SK240515
17	Hexagon head bolt complete	SK242153
18	Hexagon head bolt complete	SK242152
19	Hexagon head bolt complete	SK242150

Fig.	Description	Part No.
21	Grease nipple complete	SK1976
22	Grease tube	SK220512
23	Upper rubber cushion	SK2006
24a	Pedestal 160 mm Bolt on/weldable	SK240405
24b	Pedestal 190 mm Bolt on/weldable	SK240401
24c	Pedestal 250 mm Bolt on/weldable	SK240404
25	Lower rubber cushion	SK2007
26	Mounting bracket	SK2005
26a	For use with 160mm pedestals	SK20051
27	Hexagon head bolt	SK242155
29	Ball bearing	KLKDR4100010K
30	Half moon compl.	SK370440
31	Base plate (16mm) incl.56,57,58	SK370631
31b	Base plate (20mm) incl.56,57,58	SK370632
32	Hex. bolt compl.	SK372104
33	Countersunk bolts compl	SK372105
34	Lock out pin, old style	SK370509
34a	Lock out pin, new style	SK370514
35	Tube park	SK370604
36	Tube lock out, old style	SK370510
36a	Tube lock out, new style	SK370515

Repair and Conversion Kits

Fig.	Repair Kits	Part No.
01, 03, 04, 05, 15	Repair kit for locking device 3½"	SK242176
01, 03, 04, 05, 15	Repair kit for locking device 2"	SK242177
23, 25, 27	Repair kit for rubber bearing	SK242178
Conversion Kits		
28a	Kit to convert 3½" to 2" locking mechanism	SK242198
28b	Kit to convert 2" to 3½" locking mechanism	SK242199