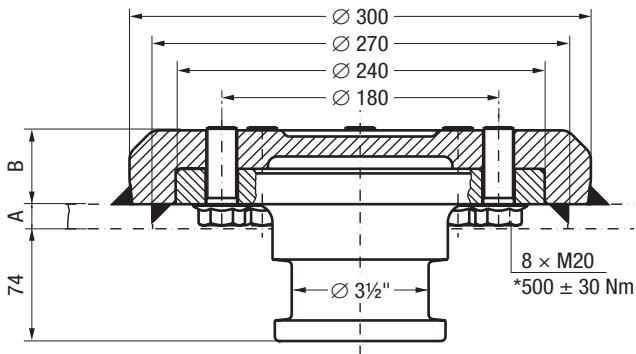


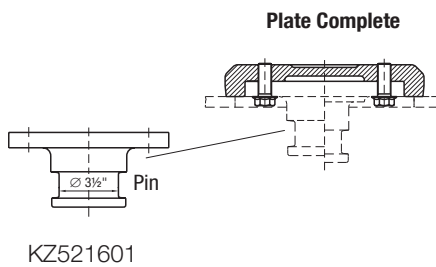
Heavy Duty King Pin 3½"

KZ5216



Selection table / Versions available

Order No. King pins, compl.	D value (kN)	A (mm)	B (mm)	Approval Number
KZ5216	400.0	16	48	ECE E1 55R-01 2936



Dimensions according to DIN 74083 and ISO 4056 **JOST** king pins can be used in self steering axle systems.

Mounting must be carried out according to our instructions.



Spare Parts for KZ5216

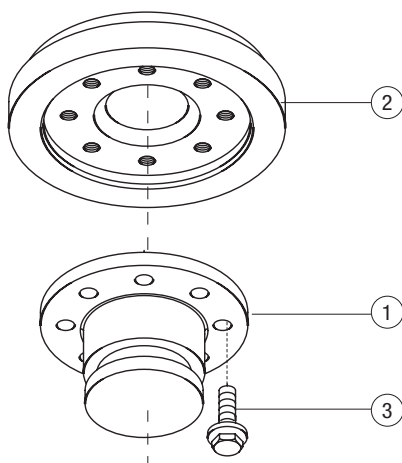


Fig.	Description	Part No.
1	King pin	KZ521601
2	Retention plate	KZ101602
3	Self-securing bolt	KZE101606

The right to alter specifications is reserved.