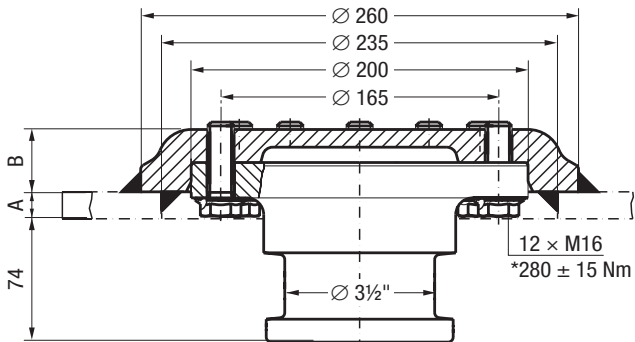


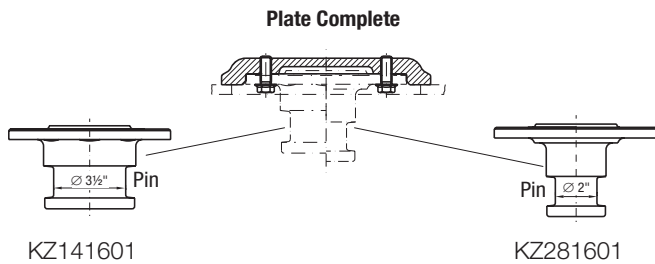
King Pin 3½" – Access from underneath

KZ1416



Selection table / Versions available

Order No. King pins, compl.	D value (kN)	A (mm)	B (mm)	Approval Number
KZ1416	200.0	16	37	CTA-024812



3½" & 2" king pins are easily interchangeable

Dimensions according to DIN 74083 and ISO 4086
JUST king pins can be used in self steering axle systems.

Mounting must be carried out according to our instructions.



Spare Parts for KZ1416

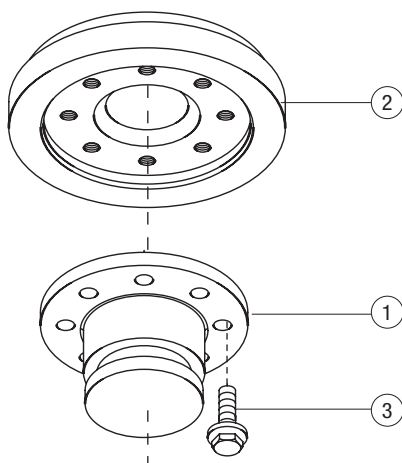


Fig.	Description	Part No.
1	King pin	KZ141601
2	Retention plate	KZ141602
3	Self-securing bolt	KZE141606

The right to alter specifications is reserved.