

# Oil tank range



**NEW!**



## Comprehensive range for all needs

- Premium Italian manufacturer
- Multiple options
- All tanks supplied with "Anti Splash" breather
- Additional accessories available

# Oil tank range

**Dual steel**



**Dual alloy**



**Dual behind cab**



**Classic**



## Dual series tanks

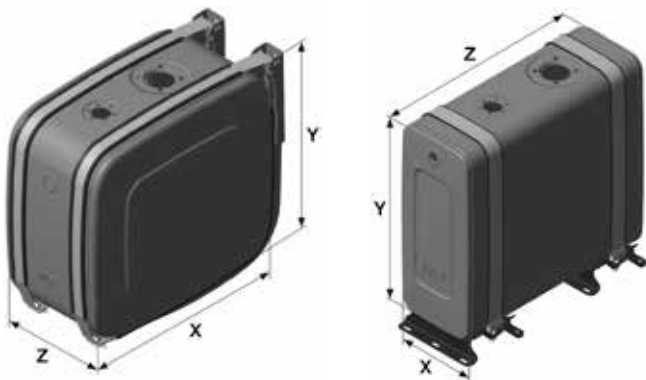
Kit	Size (LT)	Length mm (Z)	Height mm (Y)	Width mm (X)	Mount	Acc Option	Alloy Option	Notes
OTK	70	350	440	540	C/B	X/F/N		DM70/D130 valve kit
	90	350	500	640	C/B	X/F/N		DM70/D130 valve kit
***	120	300	636	706	M	X/F/N		DM70/D130 valve kit
	135	350	636	706	C/B	X/F/N	x	DM70/D130 valve kit
	170	450	636	706	C/B	X/F/N	x	D180 valve kit
	200	500	636	706	C/B	X/F/N	x	D180 valve kit

## Classic series rear of cab

Kit	Size (LT)	Length mm (Z)	Height mm (Y)	Width mm (X)	Mount	Acc Option	Alloy Option	Notes
OTK	110	700	638	270	R	X/F/N		DM70/D130 valve kit
	200	1260	638	270	R	X/F/N		D180 valve kit

Kit	Mount Options
	C Dual series chassis mount
	B Dual series behind cab mount
	R Classic series rear of cab
***	M Mono bracket for 120 LT tank only

Acc Options
X No accessories omit from order code
F With return filter
V With valve mount & filter



Member of **JOST**-World