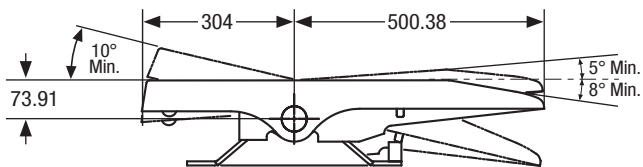
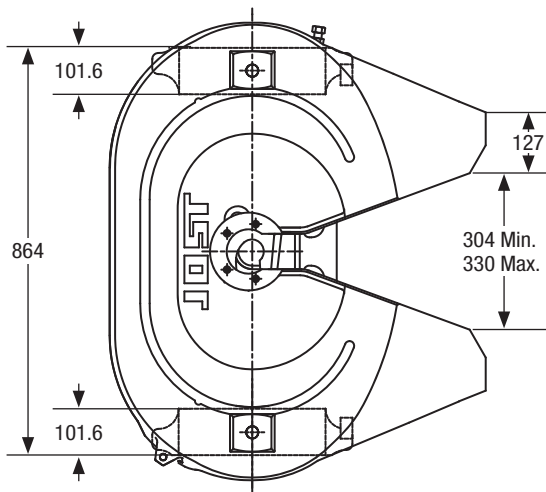
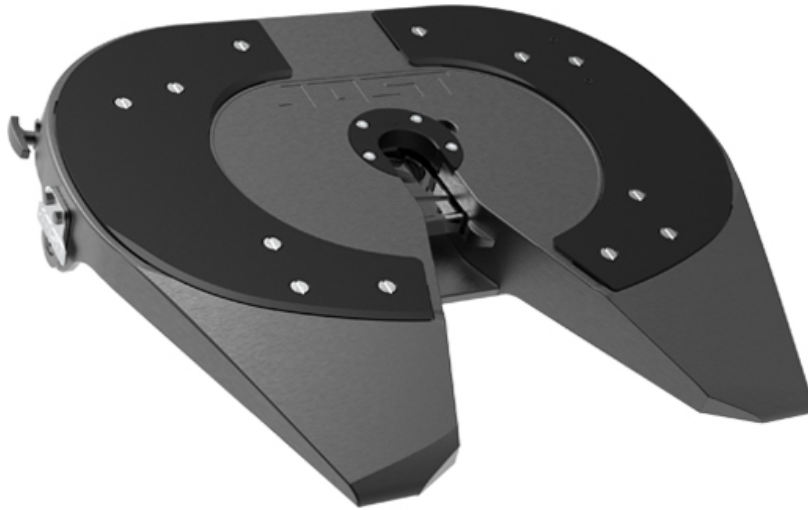


# JSK37027 Roll Back Application



**Applications:** Fridge van  
Roll back application  
Tipper Work

Low maintenance fifth wheel coupling:

- maintenance free top plate
- maintenance free rubber cushioned pivot bearings
- maintenance free wear ring
- only one remaining grease point the lock jaw (little grease required)

Lock jaw and wear ring can be replaced without difficulty in a few minutes with the fifth wheel still in position.

Mounting must be carried out in accordance with our instructions.

Pneumatic operation

Also available in low profile ball race assembly

Type	Overall height mm	Imposed Load on tractor kg	D-value kN	Weight approx. kg	Pedestal Style	Approval Number
JSK37027150	165	20000	190	123	Weld on	CTA-038553
JSK37027170	185	20000	190	128	Weld on	
JSK37027185	200	20000	190	128	Weld on	
JSK37027195	210	20000	190	130	Weld on	
JSK37027205	220	20000	190	131	Weld on	
JSK37027215	230	20000	190	132	Weld on	
JSK37027235	250	20000	190	133	Weld on	
JSK37027255	270	20000	190	136	Weld on	

## Spare parts for JSK37027

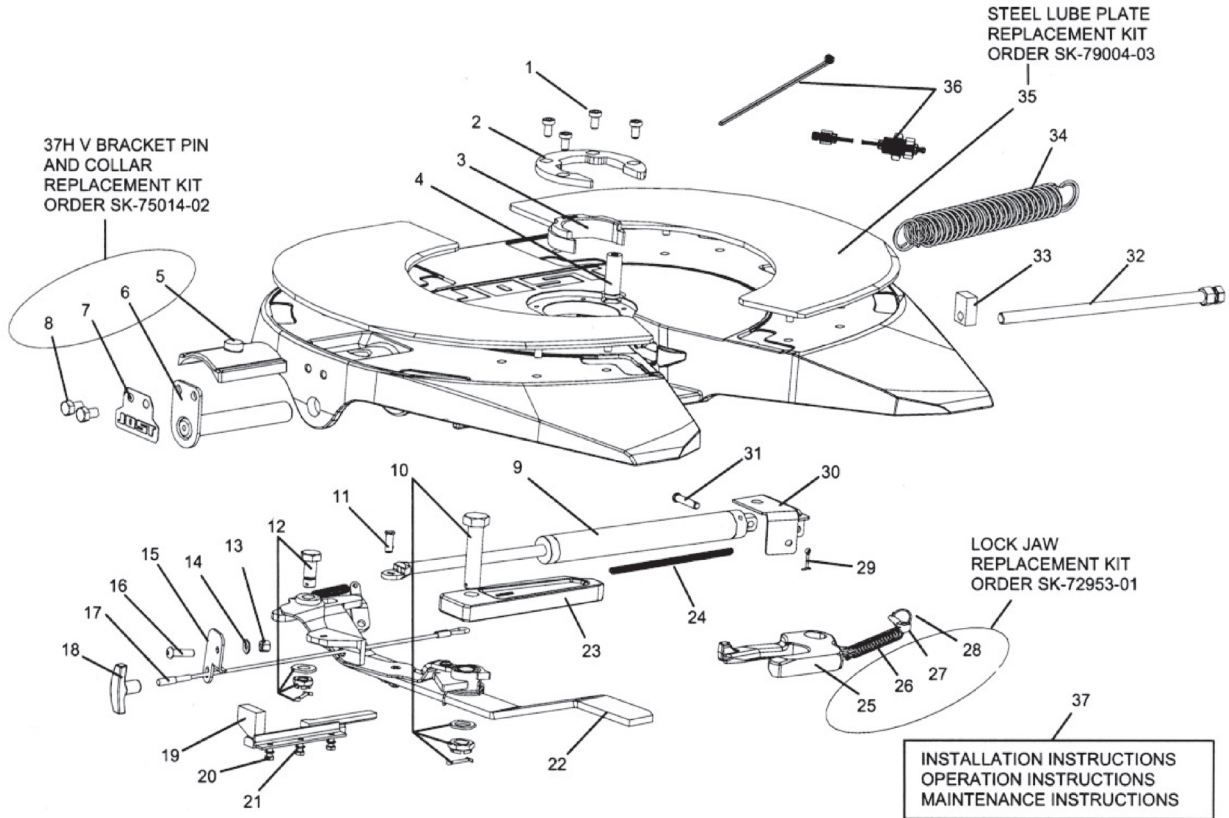


Fig.	Description	Part No.
01	Cushion ring bolt	SK7312155
02	Cushion ring plate	SK310593
03	Cushion ring insert	SK310592
04	Pivot pin for lock jaw	SK7210667
05	Collar	SK7310595
06	Bracket pin	SK7310405
07	Tab washer	SK7310447
08	½ 13 × ¾ hex bolt	SK7020215
09	Air cylinder	SK7902013
10	Locking bar bolt assembly	SK7322101
11	⅜" dia. × ¾" lg slic pin	SK7010501
12	Pivot bolt assembly	SK71513
13	⅜ 16 locknut	SK7040102
14	⅜" SAE flat washer	SK7030201
15	Handle guide	SK7901632
16	⅜ 16 × 11.4" button screw	SK7020602
17	Pull cable assembly	SK7901646
18	Thandle air release	SK7101200
19	Lock/unlock plate weldment	SK7901622
20	¼20 × ¾" hex head cap screw	SK7020228

Fig.	Description	Part No.
21	¼" split lock washer	SK7030305
22	Release arm assembly	SK7901637
23	Locking bar	SK320506
24	Cable spring	SK7100504
25	Lock jaw	SK1489LZ
26	Lock jaw spring	SK847
27	Eyebolt	SK210669
28	Ring	SK210670
29	⅜" dia × 1" lg cotter pin	SK7010103
30	Cylinder mount bracket	SK7902008
31	⅜" dia × 1⅞" clevis pin	SK7010201
32	Adjustment screw with hex nut	SK7901005
33	Guide piece	SK7320507
34	Double tension spring	SK310520
35	Narrow topplate lube plate	SK7900505
35a	Steel inserts	SK5000L&R
36	Lubricating kit	SK310802
37	Info pack	SK7502016
38	Nut and bolt	SK3121027
39	Pneumatic air release system	JOSTRK001

## Repair Kits

Fig.	Repair Kits	Part No.
0136	Repair kit for complete topplate	SK7501315
0104, 2528, 36, 37	Repair kit for cushion and lock jaw	SK7322150Z
5, 6, 7, 8 & Bush	Repair kit includes both sides	SK7501402AUS
35a	Steel insert kit	SK5000
35b	Greaseless insert kit	SK3106027