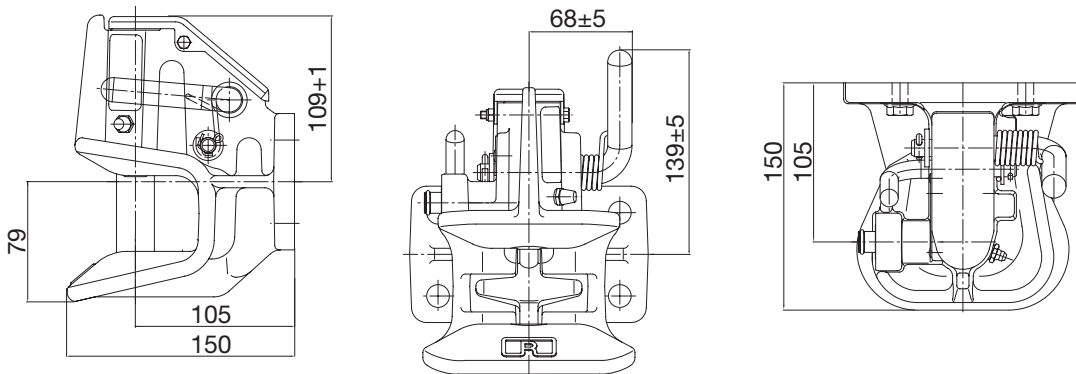
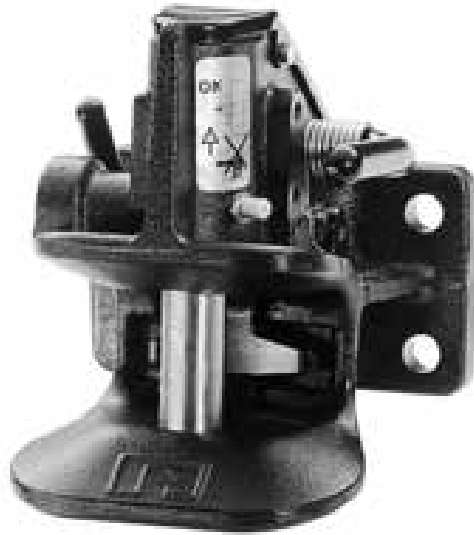


Series RO244

Compact hitch for industrial trucks and trailers



Technical data

Order no.	Size	Hole pattern (mm)	Admissible D-value ² (kN)	Admissible Dc-value ² (kN)	Admissible static vertical load ³ (kg)	Admissible V-value ² (kN)	Weight (kg)	ECE
RO244A35002	135	120 x 55	42	30	250	8,4	6	011802

Size model	a (mm)	b (mm)	c (mm)	d (mm)	e (mm)
135	120	55	155	90	15

