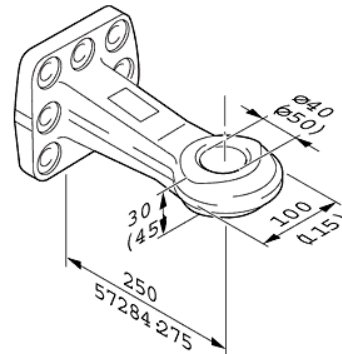


Tow Eye - Flange Mount

ROE57244

Tow eye 8 bolt flange mount 50mm inner diameter

Part number	ROE57244
D-Value	190kN
S-Value	2500kgs
V-Value	43.2kgs
Approval Number	E1 SSR-01 0045



Flange Mount - Backing Plate Including Bolts

ROE70304

Flange mount tow eye backing plate including bolts

Part number	ROE70304
a (mm)	100
b (mm)	110
c1 (mm)	154
c2 (mm)	154
d (mm)	110
e (mm)	17.0

Part no: ROE70950 - Bolt kit if required separately

