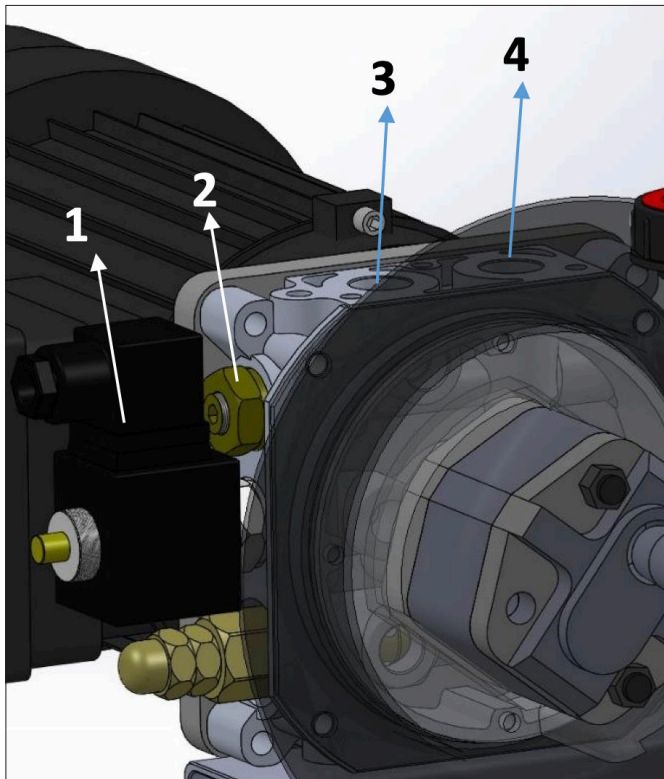


## Hydraulic Power Pack Range available from JOST Australia

- Available in 12 + 24 VDC configuration.
- Power packs are designed for tipping + ramp applications.
- Range includes cetop valves, adaptors and pendant controls.

Part Number	Description
JH-PPKCS12VSA08	POWER PACK-COMPLETE SYSTEM-12V-SINGLE ACTING-8LTR TANK-(Incl PENDANT CONTROL)
JH-PPKCS12VSA12	POWER PACK-COMPLETE SYSTEM-12V-SINGLE ACTING-12LTR TANK-(Incl PENDANT CONTROL)
JH-PPKCS24VSA08	POWER PACK-COMPLETE SYSTEM-24V-SINGLE ACTING-8LTR TANK-(Incl PENDANT CONTROL)
JH-PPKCS24VSA12	POWER PACK-COMPLETE SYSTEM-24V-SINGLE ACTING-12LTR TANK-(Incl PENDANT CONTROL)
JH-PPKCS12VDA08	POWER PACK-COMPLETE SYSTEM-12V-DOUBLE ACTING-8LTR TANK-(Incl PENDANT CONTROL)
JH-PPKCS12VDA12	POWER PACK-COMPLETE SYSTEM-12V-DOUBLE ACTING-12LTR TANK-(Incl PENDANT CONTROL)
JH-PPKCS24VDA08	POWER PACK-COMPLETE SYSTEM-24V-DOUBLE ACTING-8LTR TANK-(Incl PENDANT CONTROL)
JH-PPKCS24VDA12	POWER PACK-COMPLETE SYSTEM-24V-DOUBLE ACTING-12LTR TANK-(Incl PENDANT CONTROL)

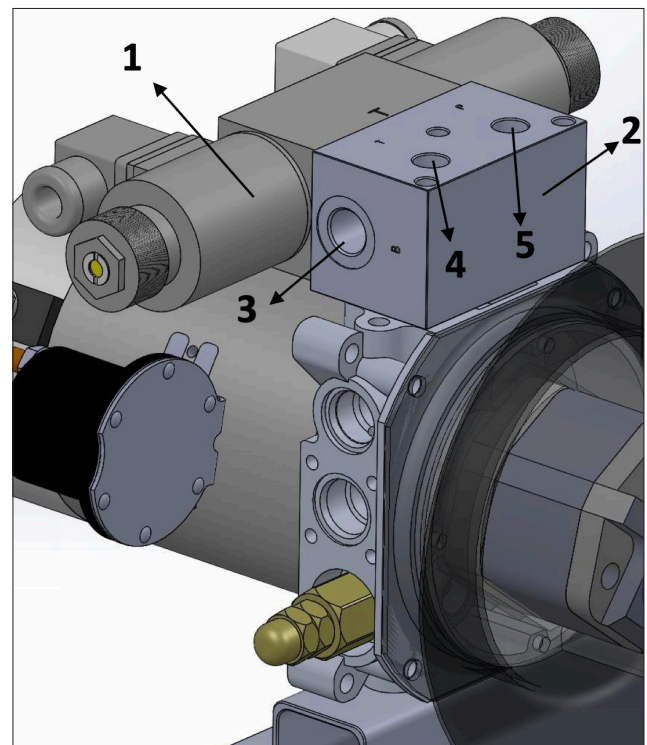
## Power Packs Features



**Photo 3.** Single acting power unit.

No.	Description	Notes
1	2/2 poppet valve	2/2 SAE8, solenoid operated cartridge valve. Normally closed, normally open options. Manual poppet is also available.
2	Flow control valve	Used to adjust return speed of cylinder. Standard and pressure compensated options.
3	Tank port	Plugged (G 3/8")
4	Pressure port	Outlet port to connect single acting cylinder (G 3/8")

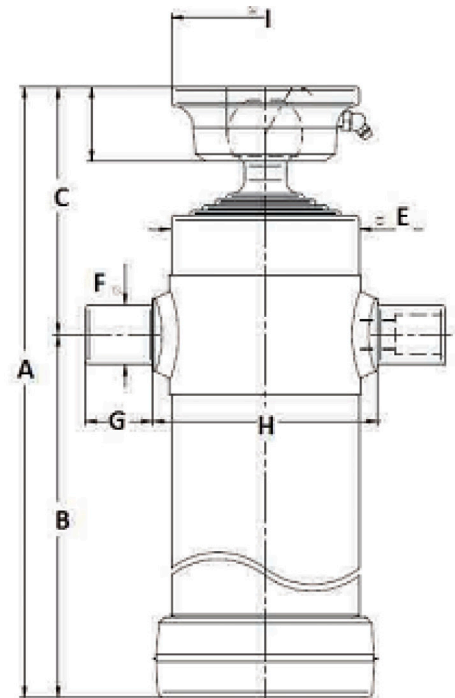
No.	Description	Notes
1	4/3 solenoid operated directional control valve	NG6 solenoid operated directional control valve. Different spool options are available.
2	Suitable for solenoid valve	Subplate in order to assemble NG6 valves. Two options, with double checks and without checks.
3	Outlet port	Two outlet ports to connect double acting cylinder (G 3/8")
4	Tank port	Plugged (G 1/4")
5	Pressure port	Plugged, can be used to assemble manometer (G 1/4")



**Photo 4.** Double acting power unit.

## Mid Mount Under Body Cylinders

- Premium Italian manufactured cylinders.
- High quality finish on the OD of all tubes.
- Includes swivel oil inlet & foot mounts.



Perfect companion for JOST Power Packs, Hose and Fitting Kits and 3-way cradles.

JOST Part Number	50 DEG PIVOT CENTER	STAGES	TIPPING CAPACITY (TONNES)		STROKE MM	CLOSED HEIGHT* (A) MM	OIL VOL LT	WEIGHT KG	DIMENSIONS (MM)						
	MM		NOM	MAX**					B	C	EØ	FØ	G	H	IØ
DNB3047S	1785	4	7	11.5	1510	572	8.7	43	395	177	124	40	40	150	95
DNB3048S	2025	4	7	11.5	1710	622	10	46	445	177	124	40	40	150	95
DNB3049S	2380	4	7	11.5	1990	692	11.5	51	515	177	124	40	40	150	95
DNB3052S	1490	5	9	15	1230	450	9	45	265	185	152	45	45	175	95
DNB3053S	1785	5	9	15	1480	500	11	53	315	185	152	45	45	175	95
DNB3055S	2550	5	9	15	2130	630	15.5	67	445	185	152	45	45	175	95
DNB3063S	950	4	5	8.5	790	380	3.2	21	220	160	112	35	40	135	112
DNB3065S	1260	4	5	8.5	1050	445	4.3	26	280	165	112	35	40	135	112
DNB3092S	1190	5	5	8.5	1040	395	5	29	225	170	124	40	40	150	112
DNB3093S	1425	5	5	8.5	1190	425	6	31	255	170	124	40	40	150	112
DNB3094S	1785	5	5	8.5	1490	285	7.5	35	315	170	124	40	40	150	112
DNB3095S	2550	5	5	8.5	2140	615	10.8	45	445	170	124	40	40	150	112
DNB3096S	2960	5	5	8.5	2490	685	12.4	50.5	515	170	124	40	40	150	112
DNB3356S	2975	5	9	15	2480	700	18	75	515	185	152	45	45	175	95
DNB4058S	1890	6	14	24	1540	478	18.5	82	210	268	190	50	45	230	107
DNB4060S	2675	6	14	24	2225	593	25.9	102	325	268	190	50	45	230	107
DNB4062S	3570	6	14	24	2910	713	34.6	125	445	268	190	50	45	230	107
DNB6002S	1010	6	4	6.5	840	315	3.6	23	155	160	124	40	40	150	112
DNB6003S	1190	6	4	6.5	1005	355	4.5	26	185	170	124	40	40	150	112
DNB6008S	1785	6	5	8.5	1480	440	8.9	46	265	175	152	45	45	175	112
DNB6009S	2140	6	5	8.5	1780	490	11.2	51	315	175	152	45	45	175	112
DNB6012S	3500	6	5	8.5	2977	690	19	71	515	175	152	45	45	175	112
DNB8004S	2300	8	7	11.5	1940	462	19.5	78	192	270	190	50	45	230	112

\* closed height measurement includes 20mm pull out

\*\* max tipping capacity calculated at maximum pressure of 170bar