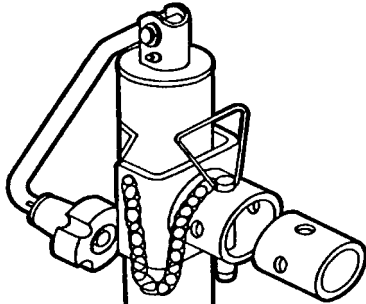




## HAMMERBLOW JACKS



**Part Number: 158451.**

**Top wind Leg**

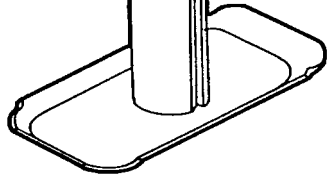
**Capacity / 2000lbs \* 800kgs.**

**Retracted: 11.25"-285.75mm**

**Extended: 21.25"- 539.75mm**

**Travel : 10"-254mm**

**Weight : 13.5lbs-7kgs**



**Part Number: 158452.**

**Top wind Leg**

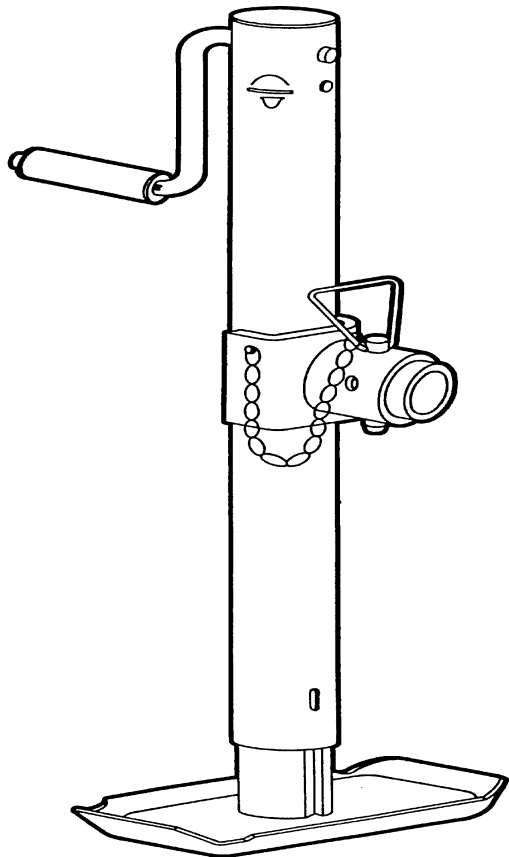
**Capacity / 2000lbs \* 800kgs.**

**Retracted: 14.50"-368mm**

**Extended: 29.5"- 749mm**

**Travel : 15"- 381mm**

**Weight : 16lbs- 8kgs**



**Part Number: 158151.**

**Sidewind Leg**

**Capacity / 2000lbs \* 800kgs.**

**Retracted: 14.50"-368mm**

**Extended: 29.5"- 749mm**

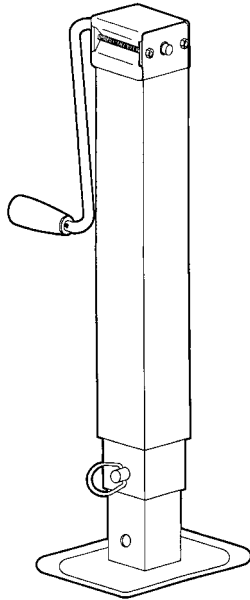
**Travel : 15"- 381mm**

**Weight : 16lbs- 8kgs**

**Distributed by:**

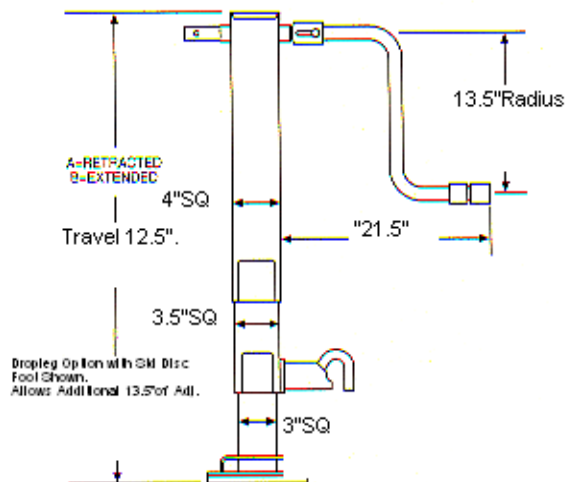
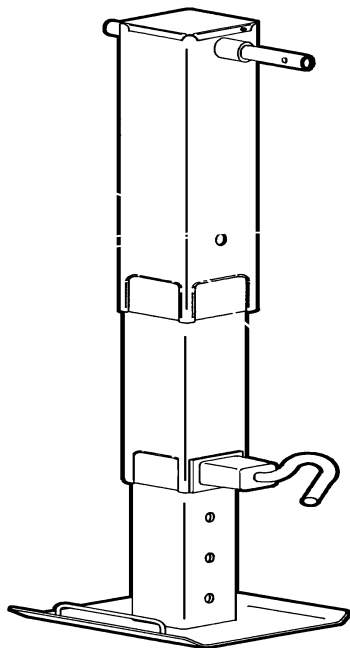


## HAMMERBLOW JACKS



**Part Number: 190510.**  
**Sidewind Drop leg**  
**Capacity: 7000lbs-3300kgs**  
**Retracted: 23.0"-584mm**  
**Extended: 51.5"-1308mm**  
**Travel: 15"-381mm**  
**Dropleg: 13.5"-342mm/ 5 holes.**  
**Weight: 26lbs-12kgs.**

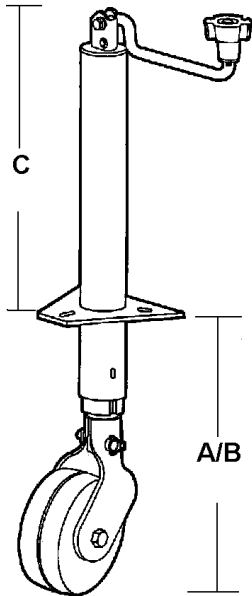
**Part Number: 182404.**  
**Sidewind Drop leg.**  
**12,000lb-5.4t Static Load Capacity**  
**10,000lb-4.5t Lifting Capacity**  
**A=Retracted: 27.0"-685mm.**  
**B=Extended: 53.0"-1346mm. Travel: 12.5"-317.5mm Drop leg: 13.5"-342mm.**  
**Weight: 61.5lbs-28kgs.**



**Distributed by:**



# HAMMERBLOW JACKS



**Part Number: 155200.**  
**Topwind Leg with Removable Poly Wheel.**  
**Capacity: 1000lbs-450kgs.**  
**A\*Retracted: 12"-304mm.**  
**B\*Extended: 27"-685mm.**  
**C\*Clearance Height (Retracted)**  
**Travel: 15"-381mm.**  
**Weight: 17.2lbs-8kgs.**  
**A Frame Mounting.**



**Part Number: 190708**  
**Topwind Jack.**  
**7,000lb-3.1t Support Capacity.**  
**5,000lb-2.2t Lifting Capacity.**

10" Radius  
 2.95"  
 C-CLEARANCE  
 2.53" Sq.  
 A-RETRACTED  
 B-EXTENDED  
 C=

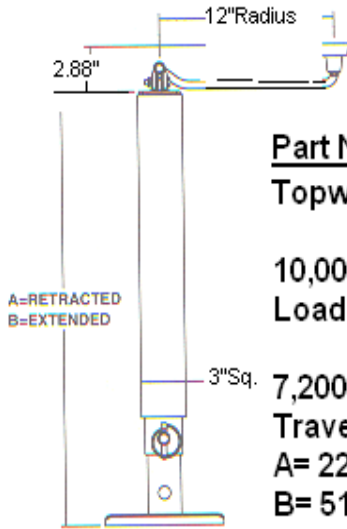
**A= 12.66"-321.5mm**  
**B= 41.16"-1045mm**  
**C= 10.25"-260mm**

**Dropleg:**  
**13.5"-342mm.**

**Distributed by:**



# HAMMERBLOW JACKS



**Part Number: 180354**

**Topwind Jack**

**10,000lb-4.5t Static Load Capacity.**

**7,200lb-3.2t Lift Cap.**

**Travel: 15"-381mm**

**A= 22.93"-582mm**

**B= 51.43"-1306mm**

**Weight: 30lbs-66kgs**

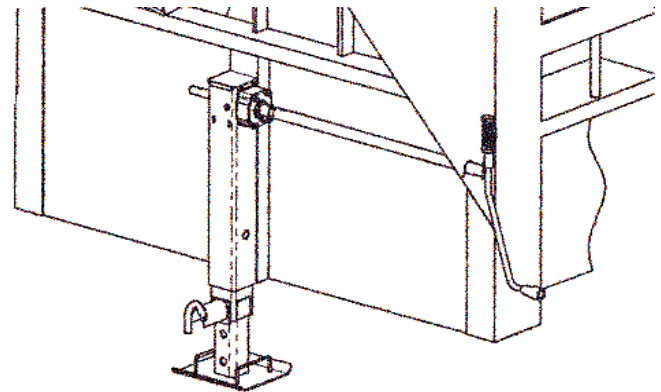
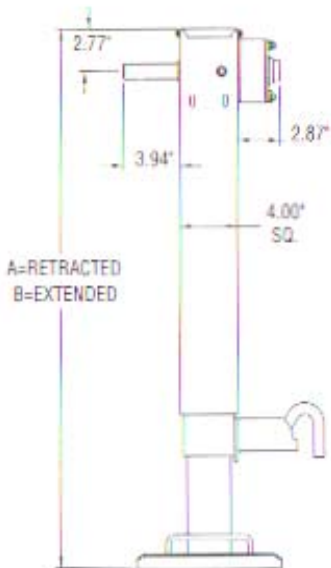
**Dropleg:**

**13.5"-342mm**



**Two Speed Square Jack 10,000lb-4.5t Lifting Capacity.**

**Part Number: 183401**



**A= 28.5"-724mm**

**B= 54.6"-1386mm**

**Distributed by:**