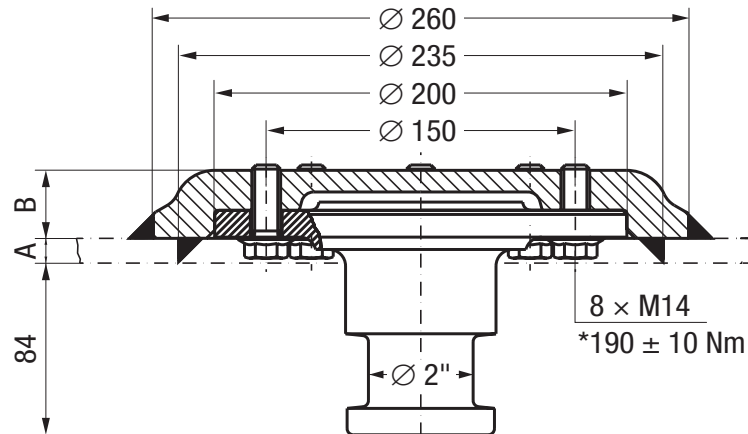


King Pins 2" – Access from underneath

KZ1008 – KZ1012

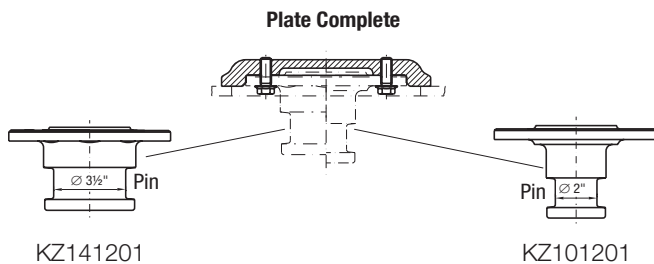


Skid Plate Thickness A	Type	Thickness B	Retention	Components	King Pin Plate	Approval Number
8 mm	KZ1008	37 mm	KZ100802			CTA-061543
10 mm	KZ1010	34 mm	KZ101002		KZ101201	CTA-061543
12 mm	KZ1012	33 mm	KZ101202			CTA-061543
16 mm	KZ101216	30 mm	KZ101216			CTA-061543

B. Double & Road Train Rated

Dimensions according to DIN 74080 and ISO 337
JOST king pins can be used in self steering axle systems.

Mounting must be carried out according to the instructions.



3½" & 2" king pins are easily interchangeable

Spare Parts for KZ1008 – KZ1012

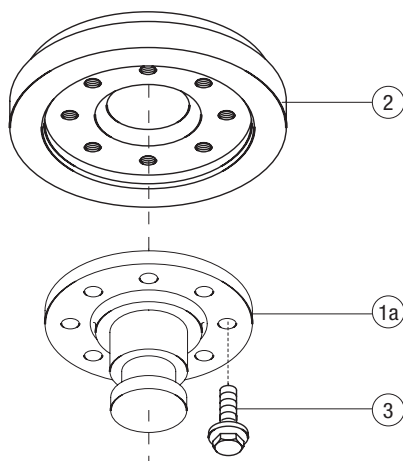


Fig.	Description	Part No.
1a	King pin 2" Dia	KZ101201
2	Retention plate for:	
	16 mm skid plate	KZ101206
	12 mm skid plate	KZ101202
	10 mm skid plate	KZ101002
	8 mm skid plate	KZ100802
3	Self securing bolt	KZE101203

The right to alter specifications is reserved.